

Oras Care washbasin faucet. Ergonomic lever offers good usability to all users and situations. Swivel spout 120° (can be limited to 40°-80°). In-built limitation options for water temperature and maximum flow-rate. Flexible connection pipes G3/8".

- Health & Care
- Deck mounted
- Chrome
- Swivel spout, Swivel range limiting option
- Standard aerator
- Long shape, Single operating lever/handle, Hot/Cold symbols
- Limitation option for maximum temperature and flow-rate
- ø 40 mm ceramic cartridge for flow and temperature control
- Flexible inlet pipes
- Inner body made of DZR brass, 3S-installation system for safe and simple mounting



TECHNICAL DATA

FLOW PROPERTIES

Flow-rate at 300 kPa	0.18 l/s
Pressure loss with flow (0.1 l/s)	95 kPa

TECHNICAL PROPERTIES

Hot water supply	max. +70°C
Working pressure	50 - 1000 kPa
Connection size	G3/8
Projection	133 mm
Backflow prevention (EN1717)	AA
Material	Brass

REGULATIONS

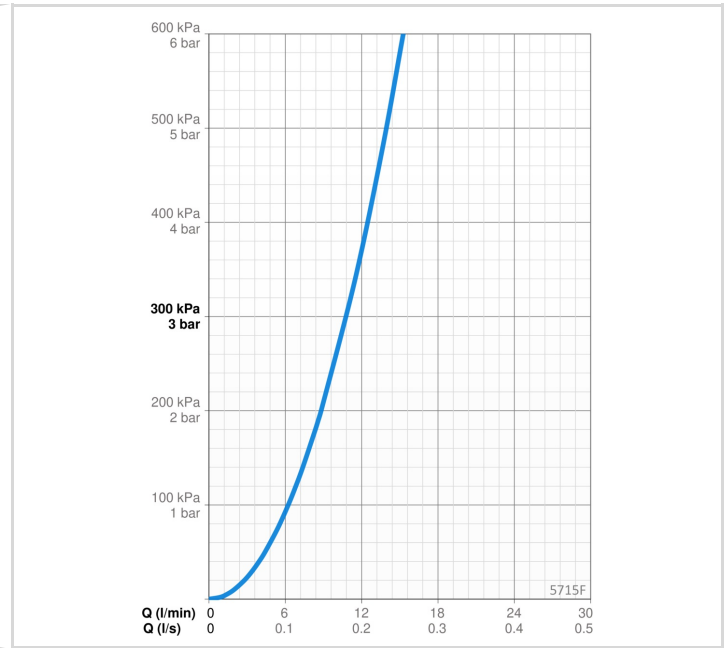
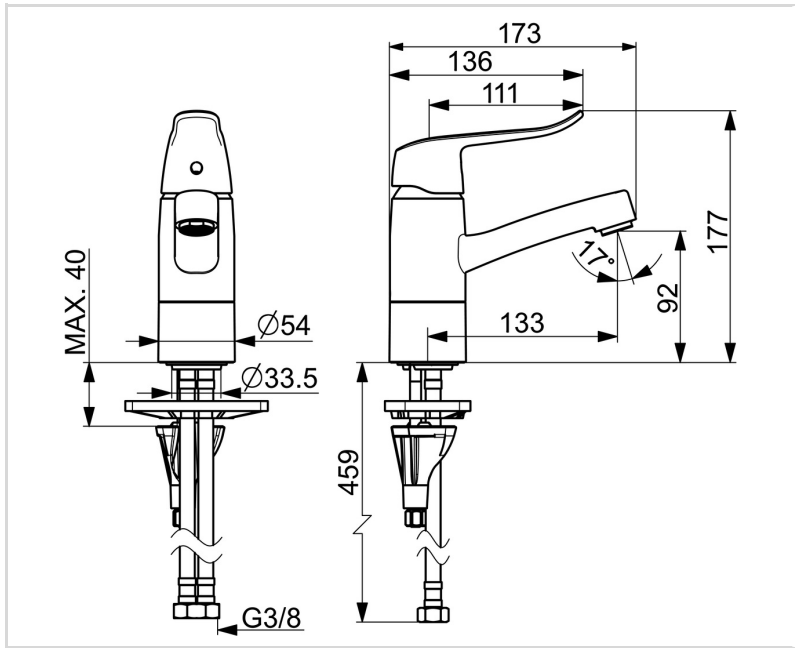
EN standard	EN 817
Noise class	I (ISO 3822)

APPROVALS AND DECLARATIONS

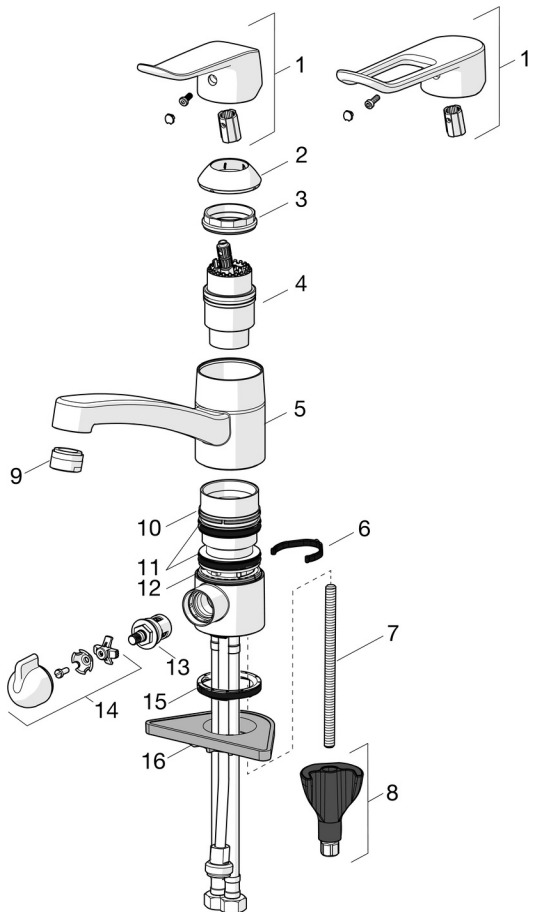
STF certificate	EUFI29-20003722-TH
KIWA SE	1588
Declaration of conformity	DoC
EPD	S-P-06391

SUSTAINABILITY

EPD module A1-A3 (kg CO2 eq.)	10,00
EPD module A4 (kg CO2 eq.)	0,28
EPD module B7 (kg CO2 eq.)	3337,20
EPD module C2 (kg CO2 eq.)	0,02
EPD module C3 (kg CO2 eq.)	0,02
EPD module C4 (kg CO2 eq.)	0,08
EPD module D (kg CO2 eq.)	-7,11



SPARE PARTS



SP5735F

Name	Code
01 Long lever, L=162 Chrome	1004914V
01 Lever, L=136 Chrome	1005294V
02 Covering cap Chrome	602589V
03 Tightening nut, M42x1.5, SW 38	158726
04 Cartridge	158890
05 Spout, L=132 Chrome	602520V
05 Spout, L=210 Chrome	1005585V
06 Spout overturning stopper, 40°-80°	1002207/10
06 Spout overturning stopper, 120°	1001406/10
07 Fixing screw, M8x1, L=130	1000780V
08 Fixing set	602610V
09 Aerator, M24x1 STD HC B Chrome	232210
09 Aerator, M24x1 STD HC A Chrome	232211
10 Bearing ring	601097/10
11 X-sealing set	158735
12 Bearing ring	159423/10
13 Headpart, G1/2	602600V
14 Handle for washing machine valve Chrome	1005697V
15 Bottom seal	1002371V
16 Supporting plate, 100x60mm	158825