



5764 ORAS CARE SAFETY SHOWER FAUCET, 160CC

THERMOSTATIC

EAN: 6414150091346 static.oras.com/5764



- Health & Care
- Wall mounted
- Chrome
- Temperature control handle, Flow control handle, Eco feature for water flow
- Ceramic head part for flow control, Thermostatic cartridge for automatic temperature control, Non-return valve(s)
- Direct connection
- Inner body made of DZR brass
- Without couplings

TECHNICAL DATA

FLOW PROPERTIES

Flow-rate at 300 kPa **0.26 l/s**

TECHNICAL PROPERTIES

Hot water supply **max. +80°C**

Working pressure **100 - 1000 kPa**

Connection size **M26x1.5**

Installation width **160 mm**

Backflow prevention (EN1717) **EB**

Material **Brass**

REGULATIONS

EN standard **EN 1111**

Noise class **I (ISO 3822)**

Noise class 0.2 l/s **I (ISO 3822)**

APPROVALS AND DECLARATIONS

Declaration of conformity **DoC**

EPD **S-P-06397**

SUSTAINABILITY

EPD module A1-A3 (kg CO2 eq.) **12,59**

EPD module A4 (kg CO2 eq.) **0,45**

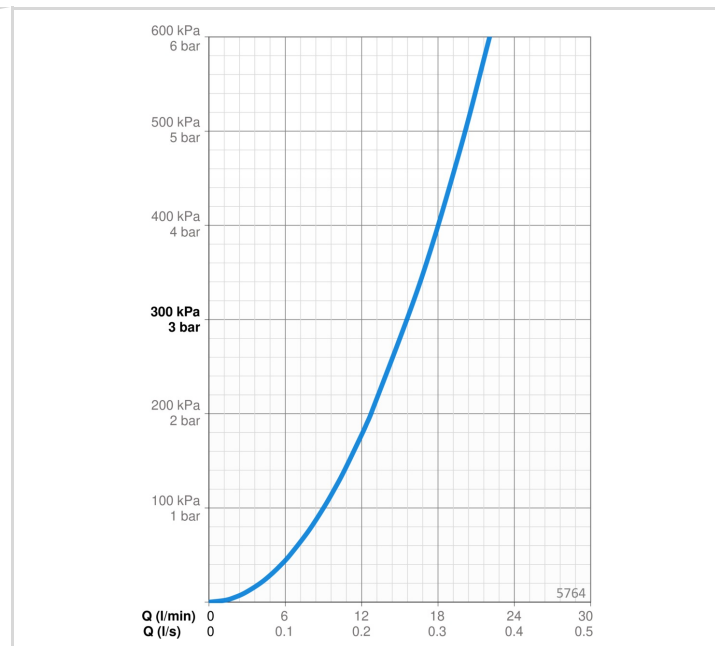
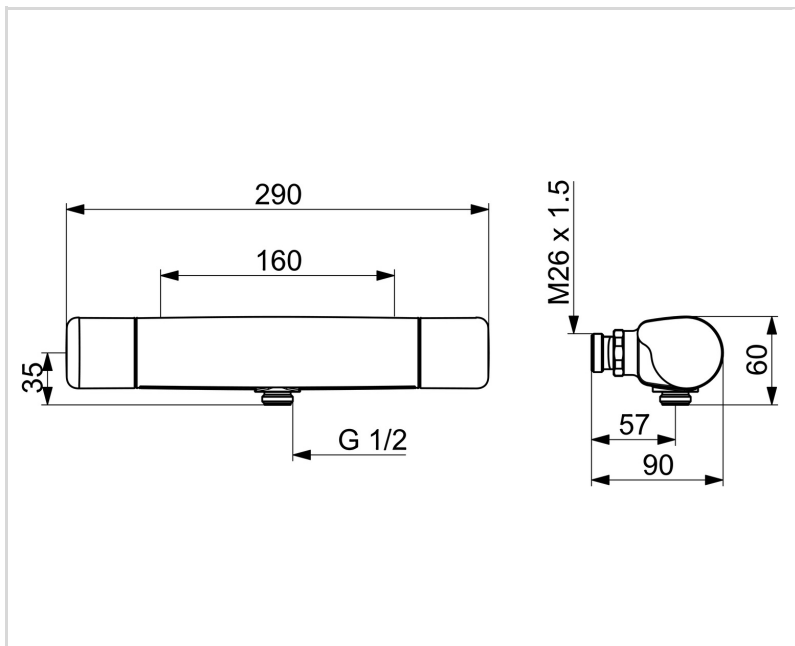
EPD module B7 (kg CO2 eq.) **2742,99**

EPD module C2 (kg CO2 eq.) **0,02**

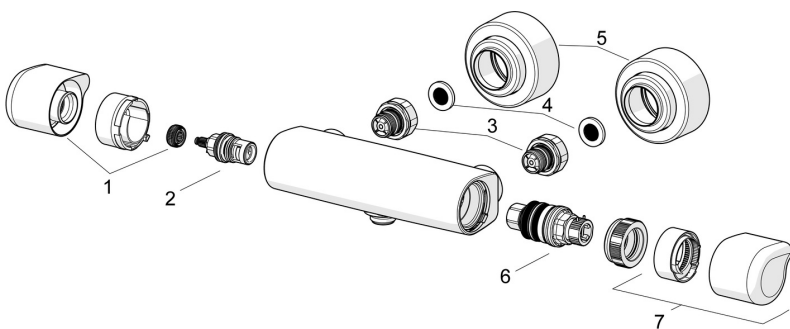
EPD module C3 (kg CO2 eq.) **0,02**

EPD module C4 (kg CO2 eq.) **0,90**

EPD module D (kg CO2 eq.) **-7,99**



SPARE PARTS



SP5760

	Name	Code
01	Flow control handle Chrome	1006422V
02	Headpart Chrome	109898
03	Combiner	602438/2
04	Filter sealing, G3/4, DN20	178375V
05	Cover flange Chrome	1006473V
06	Thermostatic cartridge	178780V
07	Temperature control handle Chrome	1005875V