



6104Q ORAS ELECTRA WASHBASIN FAUCET, 24/48 V, NON-BLUETOOTH

TOUCHLESS, EXTERNAL TRANSFORMER

EAN: 6414150105210 static.oras.com/6104Q

Touchless washbasin faucet with a mixing valve.

Electrical connection 24/48 V.

Recognition range can be adjusted at the faucet.

The faucet is equipped with litter filters and non-return valves.

(Oras No. 198081/m) 3 - 6 and 9 meters photocell cables available



- Public & Semi-public
- Deck mounted
- Chrome
- Fixed spout, Casted construction
- Standard aerator
- Temperature control handle
- Mixing valve for manual temperature control, Non-return valve(s), Litter filter(s)
- Infrared sensor, Solenoid valve
- Flexible inlet pipes

TECHNICAL DATA

FLOW PROPERTIES

Flow-rate at 300 kPa (with flow controller)	0.11 l/s
Pressure loss with flow (0.1 l/s)	170 kPa

TECHNICAL PROPERTIES

Hot water supply	max. +70°C
Working pressure	100 - 1000 kPa
Connection size	G3/8
Projection	120 mm
Backflow prevention (EN1717)	AA
Material	Brass

SOFTWARE SETTINGS

Afterflow period	1s
Automatic flush	off
Automatic flush period	30 s
Max. flow period	2 min

ELECTRONIC PROPERTIES

Electrical Connection	24-48V
-----------------------	--------

REGULATIONS

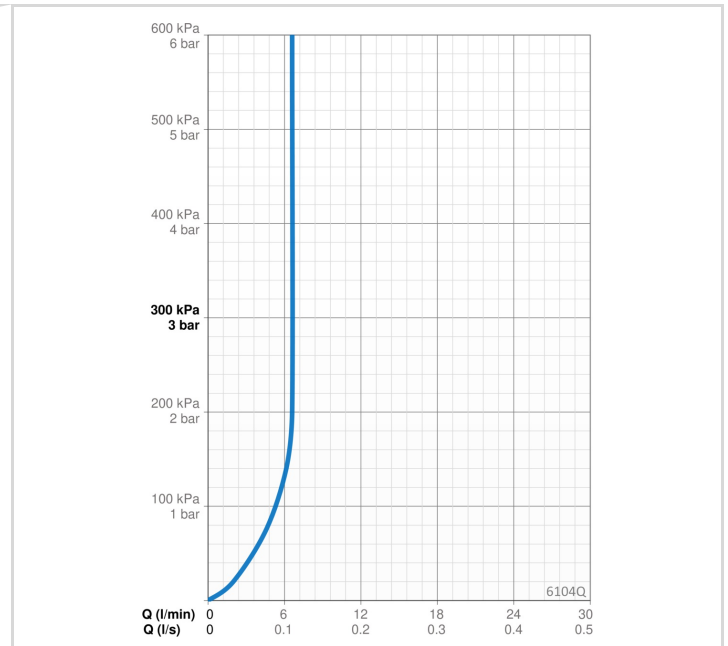
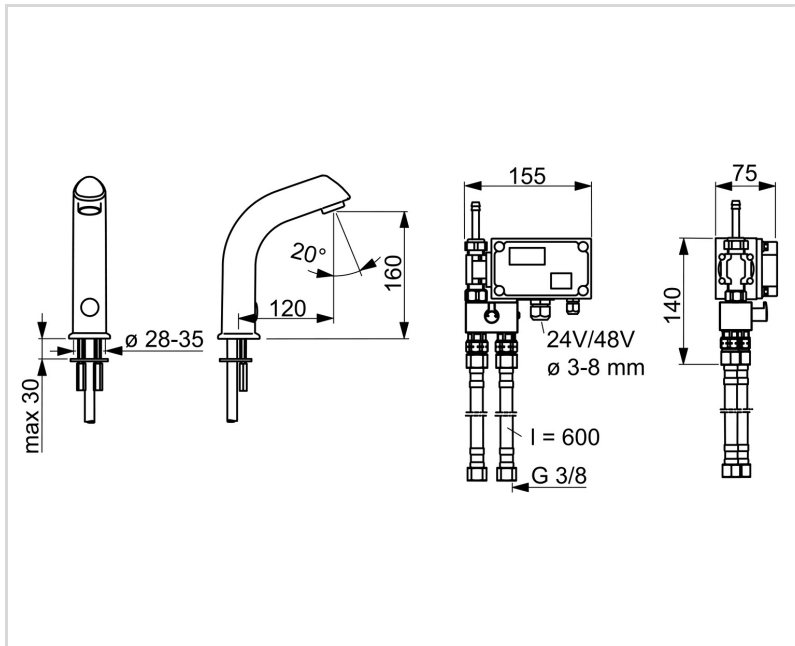
EU Directives	CE Radio Equipment Directive 2014/53/EU , Low Voltage Directive 2014/35/EU , EMC Directive 2014/30/EU , RoHS Directive 2011/65/EU
EN standard	EN 15091, ETSI EN 301 489-1 V1.9.2 , ETSI EN 300 328 v2.2.2 , EN 61000-6-1:2007 , EN 61000-6-3:2007+A1:2011+AC:2012 , EN 60335-1:2012+A11+A13+A14+A15:2021, Part 19.11.4
Noise class	I (ISO 3822)
Protection class	IP 67

APPROVALS AND DECLARATIONS

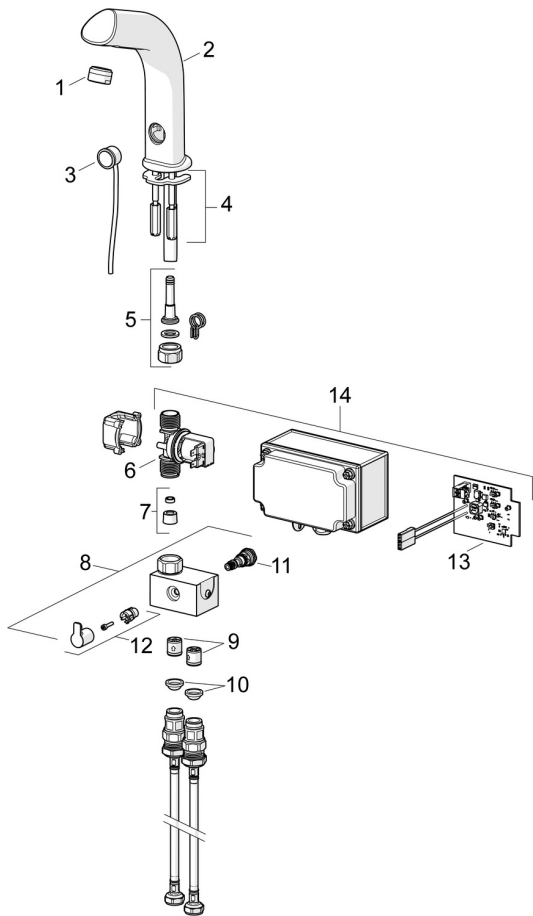
Declaration of conformity	LVD
EPD	S-P-06394

SUSTAINABILITY

EPD module A1-A3 (kg CO2 eq.)	15,73
EPD module A4 (kg CO2 eq.)	0,63
EPD module B7 (kg CO2 eq.)	473,00
EPD module C2 (kg CO2 eq.)	0,03
EPD module C3 (kg CO2 eq.)	0,03
EPD module C4 (kg CO2 eq.)	0,42
EPD module D (kg CO2 eq.)	-11,38



SPARE PARTS



SP6104Q

Name	Code
01 Aerator, M24x1 STD HC A Chrome	232211
02 Spout Chrome	198093
03 Photocell	198081
03 Photocell, 3 m	198081/3
03 Photocell, 6 m	198081/6
03 Photocell, 9 m	198081/9
04 Fixing plates with nuts	158697
05 Hose coupling, G1/2xD9	198008V
06 Solenoid valve, 12/24/48 V	1014683V
07 Flow limiter, 6 l/min	198084
08 Mixing valve Chrome	600934V
09 Non-return valve, DN15	105311
10 Litter filters, G1/2, DN15	198094/2
11 Temperature regulator	199201V
12 Temperature control handle Chrome	600493V
13 Circuit card, non-Bluetooth	1018208V
14 Control box, non-Bluetooth	1018207V