



6104Z ORAS ELECTRA WASHBASIN FAUCET, 24/48 V, BLUETOOTH

TOUCHLESS, EXTERNAL TRANSFORMER, BLUETOOTH®

EAN: 6414150100987 static.oras.com/6104Z



Touchless Bluetooth washbasin faucet with a mixing valve.
Electrical connection 24/48 V. - transformer sold as accessory
Recognition range can be adjusted at the faucet.
The faucet is equipped with litter filters and non-return valves.
(Oras No. 198081/m) 3 - 6 and 9 meters photocell cables available:
Adjust settings from Bluetooth app

Auto Flush
Recognition
After flow
Max Flow time

- Public & Semi-public, Industry
- Deck mounted
- Chrome
- Fixed spout, Casted construction
- Standard aerator
- Temperature control handle
- Mixing valve for manual temperature control, Non-return valve(s), Litter filter(s)
- Infrared sensor, Solenoid valve
- Flexible inlet pipes
- Software settings adjustable via App
- 3, 6 and 9 meters photocell cables available: Oras No. 6104/3, 6104/6, 6104/9

TECHNICAL DATA

FLOW PROPERTIES

Flow-rate at 300 kPa (with flow controller)	0.11 l/s
Pressure loss with flow (0.1 l/s)	170 kPa

TECHNICAL PROPERTIES

Hot water supply	max. +70°C
Working pressure	100 - 1000 kPa
Connection size	G3/8
Projection	120 mm
Backflow prevention (EN1717)	AA
Material	Brass

SOFTWARE SETTINGS

Afterflow period	3 s (1-20 s)
Automatic flush	off (off/1-120 h)
Automatic flush period	30 s (1-1800 s)
Max. flow period	2 min (1 - 1800 s)

ELECTRONIC PROPERTIES

Electrical Connection	24-48V
Bluetooth version	5.x (D060577)

REGULATIONS

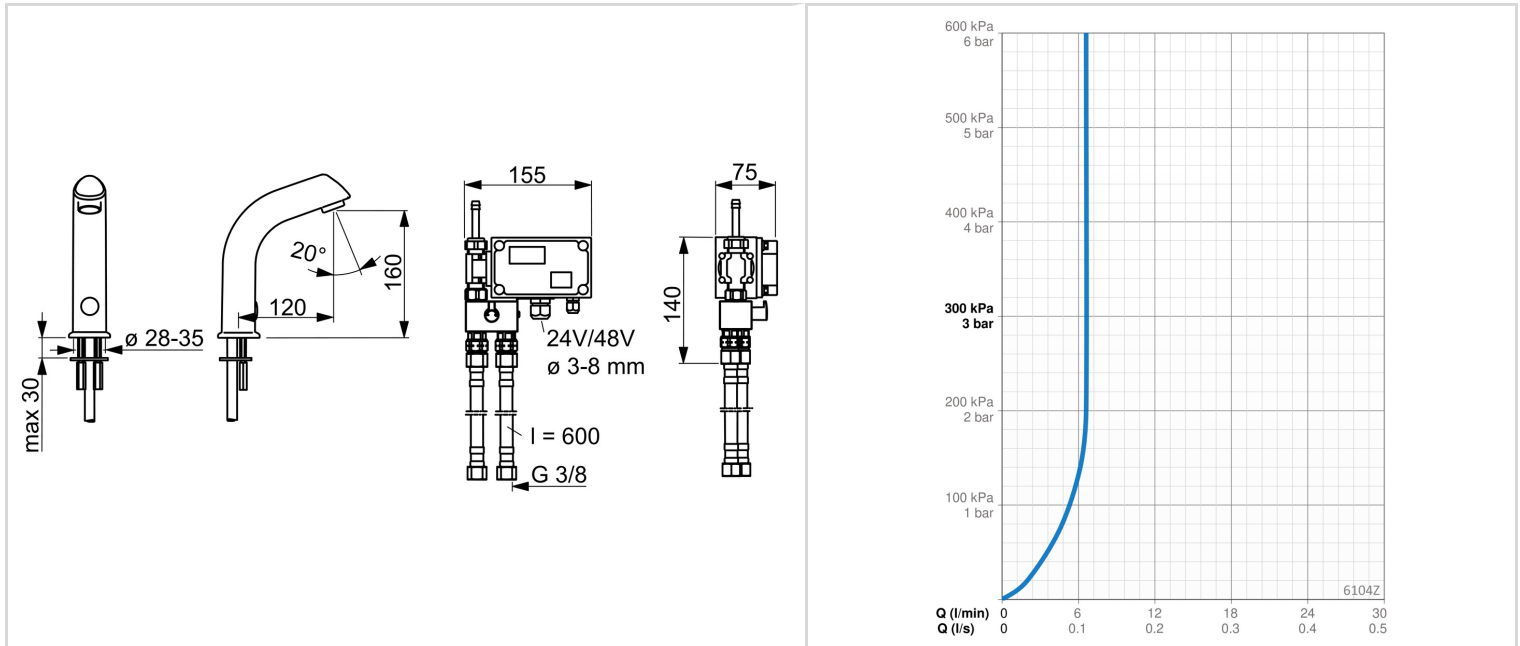
EU Directives	CE Radio Equipment Directive 2014/53/EU , Low Voltage Directive 2014/35/EU , EMC Directive 2014/30/EU , RoHS Directive 2011/65/EU
EN standard	EN 15091, ETSI EN 301 489-1 V1.9.2 , ETSI EN 300 328 v2.2.2, EN 18031-1, EN 61000-6-1:2007 , EN 61000-6-3:2007+A1:2011+AC:2012 , EN 60335-1:2012+A11+A13+A14+A15:2021, Part 19.11.4
Noise class	I (ISO 3822)
Protection class	IP 67

APPROVALS AND DECLARATIONS

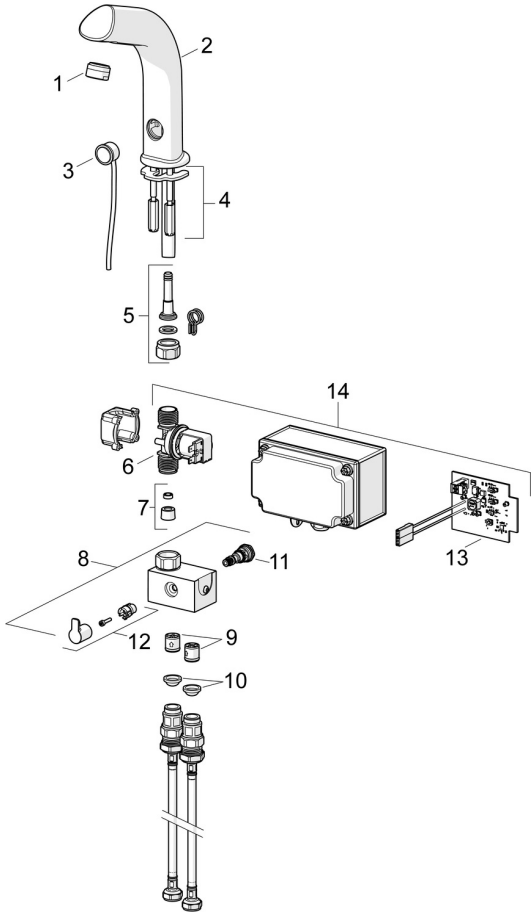
STF certificate	K14606-01
KIWA SE	1861
Declaration of conformity	RED
EPD	S-P-06394

SUSTAINABILITY

EPD module A1-A3 (kg CO2 eq.)	15,73
EPD module A4 (kg CO2 eq.)	0,63
EPD module B7 (kg CO2 eq.)	473,00
EPD module C2 (kg CO2 eq.)	0,03
EPD module C3 (kg CO2 eq.)	0,03
EPD module C4 (kg CO2 eq.)	0,42
EPD module D (kg CO2 eq.)	-11,38



SPARE PARTS



SP6104Z

	Name	Code
01	Aerator, M24x1 STD HC A Chrome	232211
02	Spout Chrome	198093
03	Photocell	198081
03	Photocell, 3 m	198081/3
03	Photocell, 6 m	198081/6
03	Photocell, 9 m	198081/9
04	Fixing plates with nuts	158697
05	Hose coupling, G1/2xD9	198008V
06	Solenoid valve, 12/24/48 V	1014683V
07	Flow limiter, 6 l/min	198084
08	Mixing valve Chrome	600934V
09	Non-return valve, DN15	105311
10	Litter filters, G1/2, DN15	198094/2
11	Temperature regulator	199201V
12	Temperature control handle Chrome	600493V
13	Circuit card	1014593V
14	Control box	1014958V