



# 6105Q ORAS ELECTRA WASHBASIN FAUCET, 24/48 V, NON-BLUETOOTH

TOUCHLESS, BIDETTA, EXTERNAL TRANSFORMER

EAN: 6414150105227 [static.oras.com/6105Q](http://static.oras.com/6105Q)

Touchless washbasin faucet with a mixing valve and hand shower.

Electrical connection 24/48 V.

Recognition range can be adjusted at the faucet.

The faucet is equipped with litter filters and non-return valves.

Use of the hand shower: Lift the hand shower from its holder and press the trigger. The water flow will stop when the hand shower is replaced to the holder.

Replacement cord in the length of 3-4-5-10 meters is available for the holder of the hand shower.

(Oras No. 198081/m) 3 - 6 and 9 meters photocell cables available:

Flex pipes connection

- Health & Care
- Deck mounted
- Chrome
- Fixed spout
- Standard aerator
- Hand shower, Shower holder, Shower hose (1500 mm)
- Bidetta hand shower
- Mixing valve for manual temperature control, Non-return valve(s), Litter filter(s)
- Infrared sensor, Solenoid valve
- Flexible inlet pipes
- 1 spray function

## TECHNICAL DATA

### FLOW PROPERTIES

Flow-rate at 300 kPa (with flow controller)	0.11 l/s
Pressure loss with flow (0.1 l/s)	220 kPa

### TECHNICAL PROPERTIES

Hot water supply	max. +70°C
Working pressure	100 - 1000 kPa
Connection size	G3/8
Projection	120 mm
Backflow prevention (EN1717)	HC
Material	Brass

### SOFTWARE SETTINGS

Afterflow period	1s
Automatic flush	off
Automatic flush period	30 s
Max. flow period	2 min

### ELECTRONIC PROPERTIES

Electrical Connection	24-48V
-----------------------	--------

### REGULATIONS

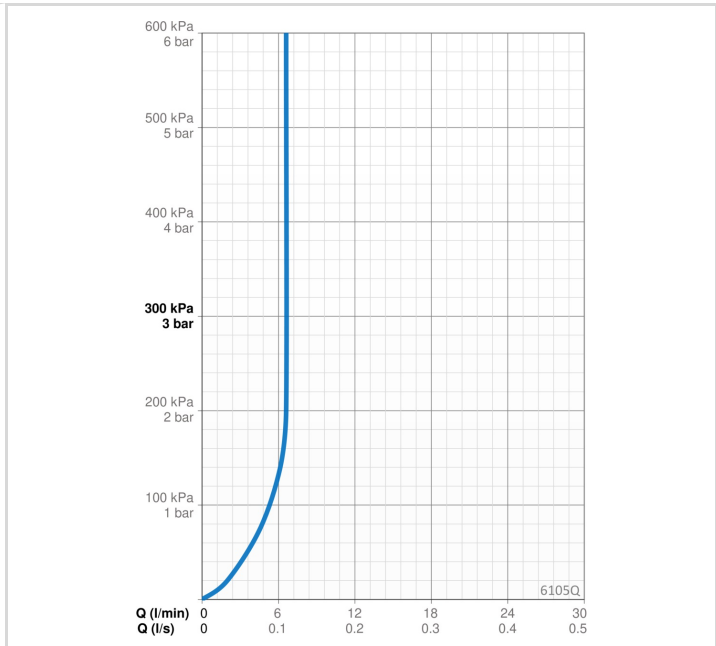
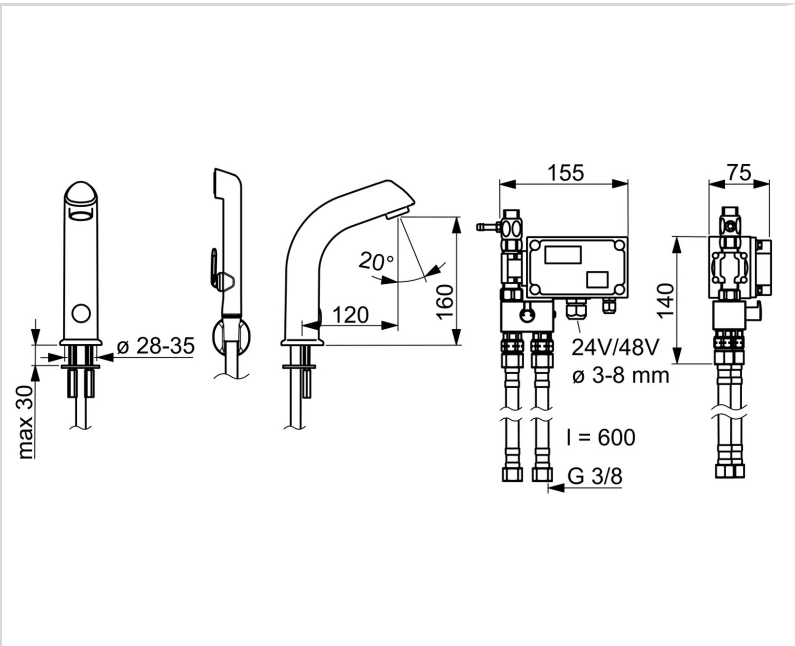
EU Directives	CE Radio Equipment Directive 2014/53/EU , Low Voltage Directive 2014/35/EU , EMC Directive 2014/30/EU , RoHS Directive 2011/65/EU
EN standard	EN 15091, ETSI EN 301 489-1 V1.9.2 , ETSI EN 300 328 v2.2.2 , EN 61000-6-1:2007 , EN 61000-6-3:2007+A1:2011+AC:2012 , EN 60335-1:2012+A11+A13+A14+A15:2021, Part 19.11.4
Noise class	I (ISO 3822)
Protection class	IP 67

### APPROVALS AND DECLARATIONS

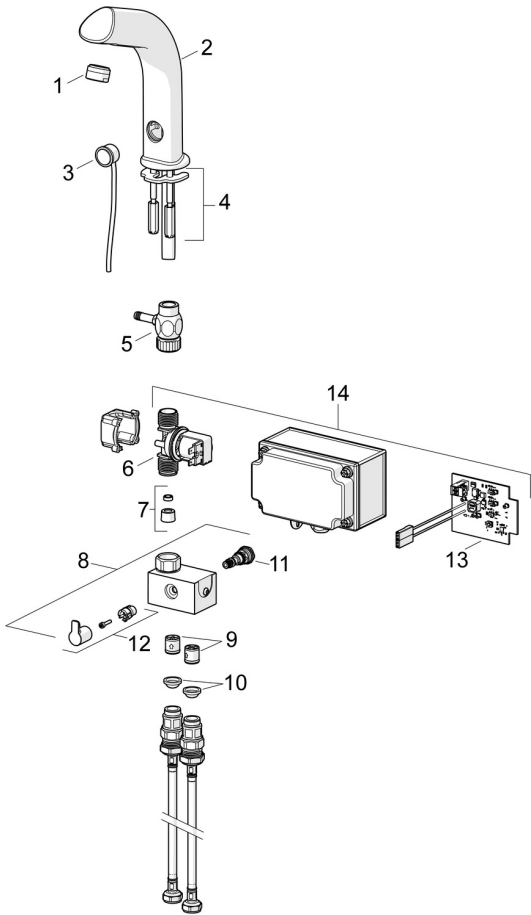
Declaration of conformity	LVD
EPD	S-P-06394

**SUSTAINABILITY**

EPD module A1-A3 (kg CO2 eq.)	<b>18,96</b>
EPD module A4 (kg CO2 eq.)	<b>0,76</b>
EPD module B7 (kg CO2 eq.)	<b>473,00</b>
EPD module C2 (kg CO2 eq.)	<b>0,04</b>
EPD module C3 (kg CO2 eq.)	<b>0,04</b>
EPD module C4 (kg CO2 eq.)	<b>0,50</b>
EPD module D (kg CO2 eq.)	<b>-13,73</b>



## SPARE PARTS



### SP6105Q

	Name	Code
01	Aerator, STD M24x1 HC PCA 5.7 l/min	1013801V
02	Spout Chrome	198093
03	Photocell	198081
03	Photocell, 3 m	198081/3
03	Photocell, 6 m	198081/6
03	Photocell, 9 m	198081/9
04	Fixing plates with nuts	158697
05	Ejector	198791
06	Solenoid valve, 12/24/48 V	1014683V
07	Flow limiter, 6 l/min	198084
08	Mixing valve Chrome	600934V
09	Non-return valve, DN15	105311
10	Litter filters, G1/2, DN15	198094/2
11	Temperature regulator	199201V
12	Temperature control handle Chrome	600493V
13	Circuit card, non-Bluetooth	1018208V
14	Control box, non-Bluetooth	1018207V