



# 6120FZ-080 ORAS ELECTRA ECO WASHBASIN FAUCET, 9/12 V, BLUETOOTH

DISCONTINUED

TOUCHLESS, BLUETOOTH®, EXTERNAL TRANSFORMER

EAN: 6414150095955 [static.oras.com/6120FZ-080](http://static.oras.com/6120FZ-080)



- ECO Building
- Deck mounted
- Chrome
- Fixed spout, Casted construction
- Standard aerator
- Temperature control handle
- Litter filter(s)
- Autofocus infrared sensor, Solenoid valve
- Flexible inlet pipes
- Software settings adjustable via App
- Flow per cycle: 0.56 l/cycle Electrical connection 12 V via a separate power supply (e.g. Oras No. 199275/199550).

## TECHNICAL DATA

### FLOW PROPERTIES

Flow-rate at 300 kPa (with flow controller) **0.07 l/s**

### TECHNICAL PROPERTIES

DN-size (nominal dimension) **DN15**  
Hot water supply **max. +70°C**  
Working pressure **50 - 1000 kPa**  
Connection size **G3/8**  
Projection **96 mm**  
Backflow prevention (EN1717) **AA**  
Material **Brass**

### SOFTWARE SETTINGS

Afterflow period **1 s (1-20 s)**  
Automatic flush **off (off/1-120 h)**  
Automatic flush period **30 s (1-1800 s)**  
Max. flow period **8 s (1 - 1800 s)**

### ELECTRONIC PROPERTIES

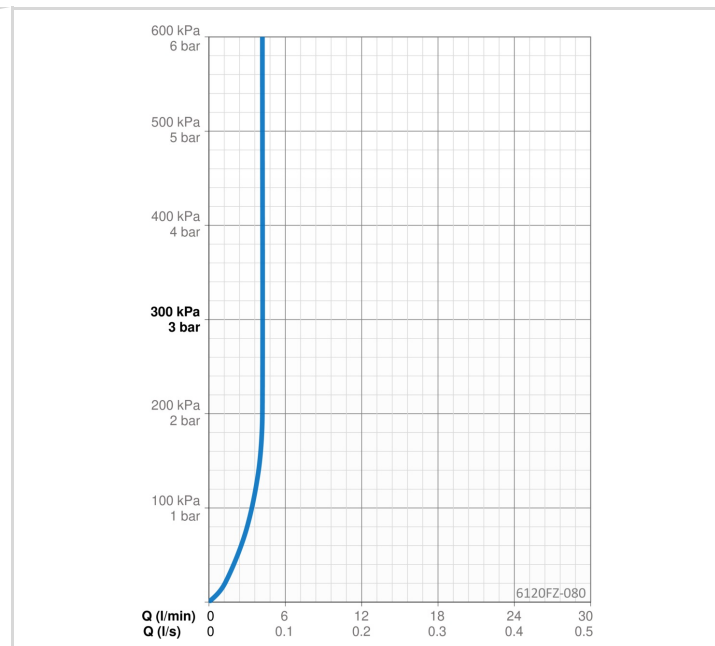
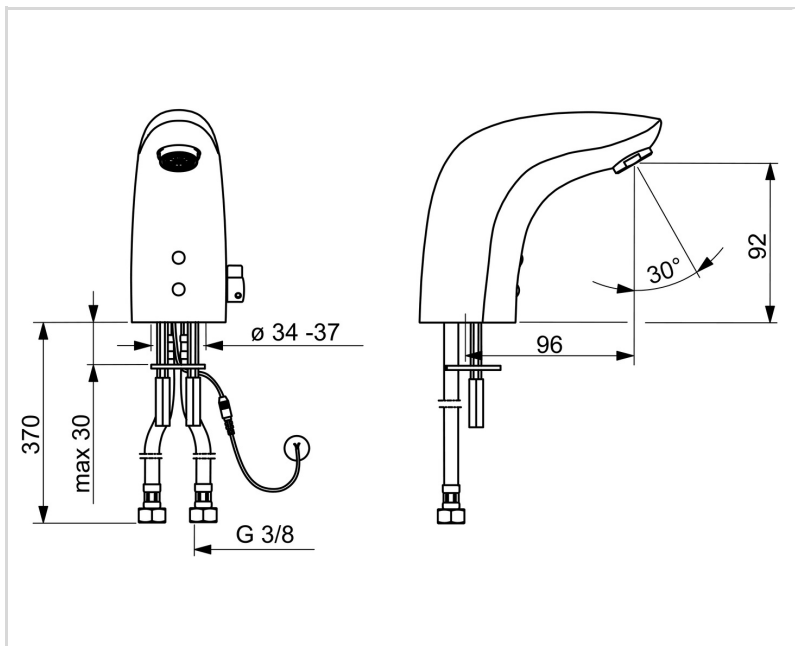
Electrical Connection **9 / 12 V**  
Bluetooth version **4.x (D034445)**

### REGULATIONS

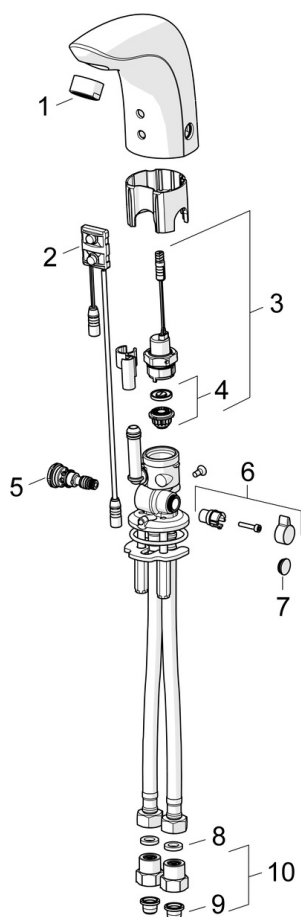
EU Directives **CE Radio Equipment Directive 2014/53/EU , Low Voltage Directive 2014/35/EU , EMC Directive 2014/30/EU , RoHS Directive 2011/65/EU**  
EN standard **EN 15091, ETSI EN 301 489-1 V1.9.2 , ETSI EN 300 328 v2.2.2 , EN 61000-6-1:2007 , EN 61000-6-3:2007+A1:2011+AC:2012 , EN 60335-1:2012+A11+A13+A14+A2+A15:2021, Part 19.11.4**  
Noise class **I (ISO 3822) Oras lab.**  
Protection class **IP 55**

### APPROVALS AND DECLARATIONS

Declaration of conformity **RED**



**SPARE PARTS**



**SP6120F-080**

Name	Code
01 Aerator, M24x1, -105	601166V
02 Sensor, 6/9/12 V, Bluetooth	601031V
02 Sensor, 6/9/12 V, Bluetooth	1001424V
03 Solenoid valve, 6 V	199206V
04 Membrane support ring Discontinued	199205V
04 Membrane for solenoid valve	1006500V
05 Temperature regulator	199201V
06 Temperature control handle, L=15 Chrome	199212V
07 Cover plug Chrome	199208V
08 Gasket, 8x14.3x2	600705/10
09 Litter filters	199257/2
10 One-way valve with litter screen Chrome	198473/2