



# 6130 ORAS ELECTRA WASHBASIN FAUCET, 230/12

V **DISCONTINUED**

TOUCHLESS, PLUG TRANSFORMER

EAN: 6414150027253 [static.oras.com/6130](http://static.oras.com/6130)

Touchless basin faucet for pre-mixed water. Plug transformer 230/12 V. Recognition range can be adjusted from the faucet.



- Public & Semi-public
- Deck mounted
- Chrome
- Standard aerator
- Litter filter(s)
- Infrared sensor, Power supply

## TECHNICAL DATA

### FLOW PROPERTIES

Flow-rate at 300 kPa (with flow controller)	0.11 l/s
Pressure loss with flow (0.1 l/s)	170 kPa

### TECHNICAL PROPERTIES

Hot water supply	max. +70°C
Working pressure	100 - 1000 kPa
Connection size	G3/8
Projection	120 mm
Material	Brass

### SOFTWARE SETTINGS

Afterflow period	1 s (0-255 s)
Max. flow period	2 min (1 - 255 s)

### ELECTRONIC PROPERTIES

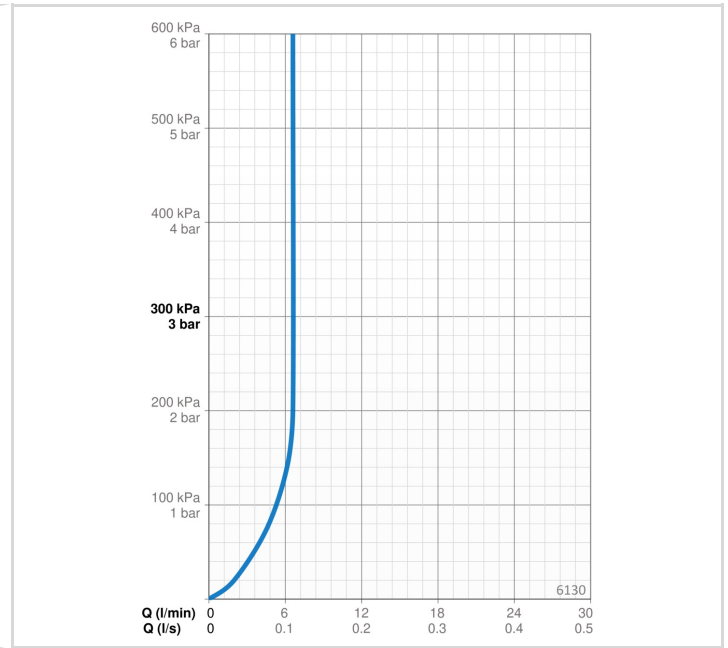
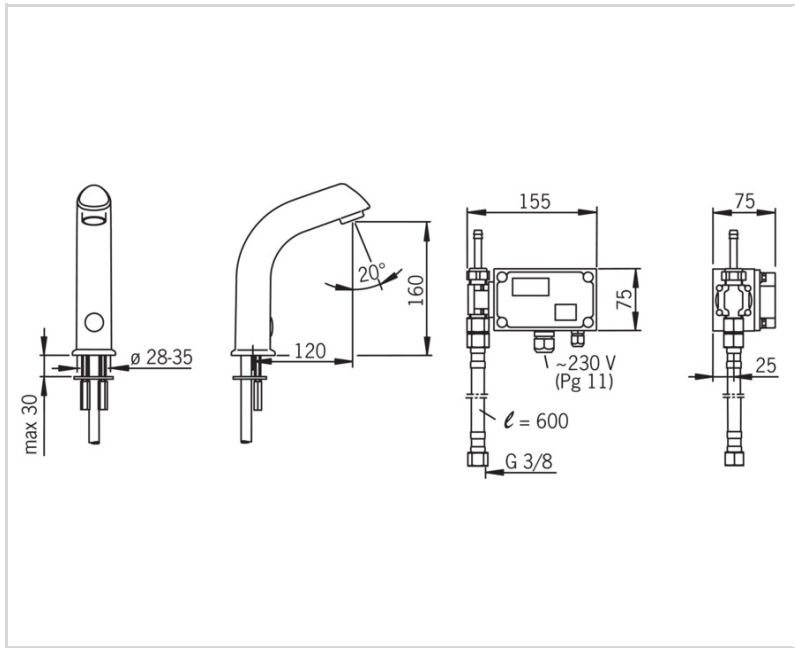
Electrical Connection	230 / 12 VAC
-----------------------	--------------

### REGULATIONS

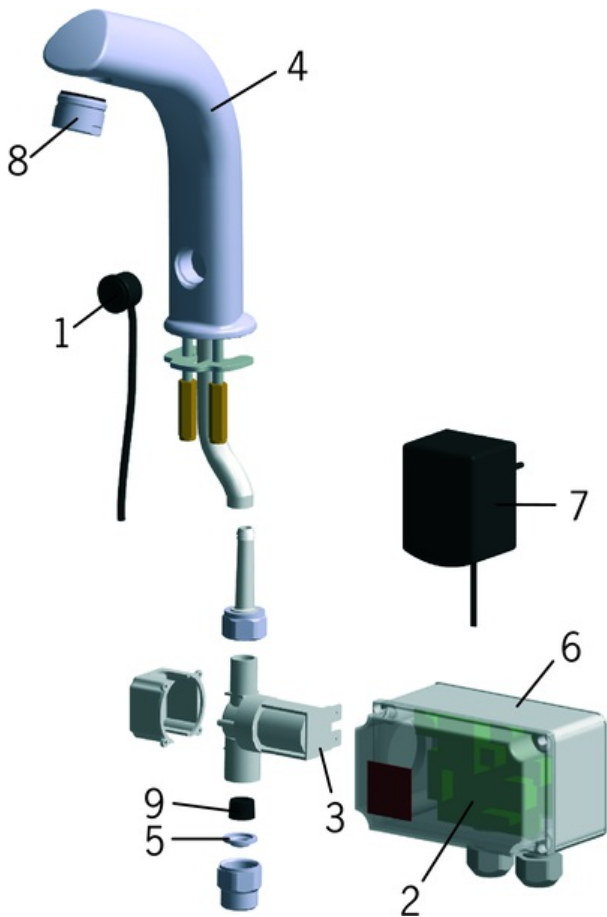
EU Directives	CE Low Voltage Directive 2014/35/EU , EMC Directive 2014/30/EU , RoHS Directive 2011/65/EU
EN standard	EN 15091, ETSI EN 301 489-1 V1.9.2 , ETSI EN 300 328 v2.2.2 , EN 61000-6-1:2007 , EN 61000-6-3:2007+A1:2011+AC:2012 , EN 60335-1:2012+A11+A13+A14+A2+A15:2021, Part 19.11.4
Noise class	I (ISO 3822)
Protection class	IP 67 / transformer IP 40

### APPROVALS AND DECLARATIONS

Declaration of conformity	LVD
---------------------------	-----



**SPARE PARTS**



**SP6130**

Name	Code
01 Photocell	198081
01 Photocell, 3 m	198081/3
01 Photocell, 6 m	198081/6
01 Photocell, 9 m	198081/9
02 Circuit card, 12 V Discontinued	198087
03 Solenoid valve, 12 V Discontinued	198090
03 Solenoid valve, 12/24/48 V	1014683V
04 Spout Chrome	198093
05 Litter filters, G1/2, DN15	198094/2
06 Control box, 12 V Discontinued	198097
07 Transformer, 230/12 V	198099
08 Aerator, M24x1 STD HC A Chrome	232211
09 Flow limiter, 6 l/min	198084