



6179 ORAS ELECTRA WASHBASIN FAUCET, 6 V

TOUCHLESS, BATTERY-OPERATED

EAN: 6414150052484 static.oras.com/6179



Touchless washbasin faucet with a swivel spout, aerator with a 6 l/min flow controller and temperature adjustment knob. Battery-operated 6 V. The temperature adjustment handle is equipped with a temperature limiter which can be bypassed by pushing a button. The faucet is equipped with litter filters and non-return valves.

- Health & Care, Public & Semi-public
- Wall mounted
- Chrome
- Swivel spout
- Temperature control handle
- Litter filter(s), Non-return valve(s), Pressostatic cartridge for automatic temperature control
- Autofocus infrared sensor, Solenoid valve, Low battery indicator
- Software settings adjustable via magnetic key

TECHNICAL DATA

FLOW PROPERTIES

Flow-rate at 300 kPa (with flow controller)	0.1 l/s
Pressure loss with flow (0.1 l/s)	200 kPa

TECHNICAL PROPERTIES

Hot water supply	max. +70°C
Working pressure	100 - 1000 kPa
Connection size	G3/4
Installation width	150 ± 3 mm
Projection	250 mm
Backflow prevention (EN1717)	AA
Material	Brass

SOFTWARE SETTINGS

Afterflow period	2 s ± 1 s
Automatic flush	off (off/24/48/72 h)
Automatic flush period	30 s
Max. flow period	2 min
Opening range	0-5 cm

ELECTRONIC PROPERTIES

Battery	Lithium 2CR5 6 V
---------	------------------

REGULATIONS

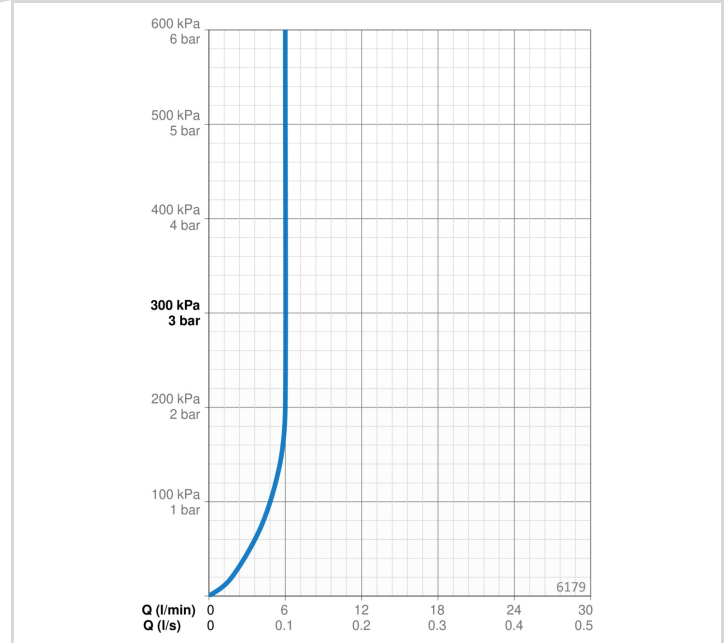
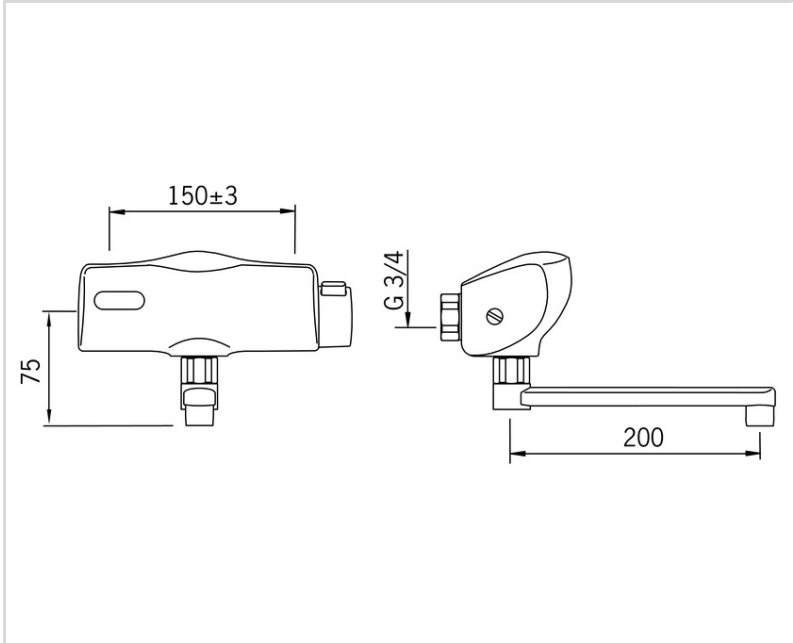
EU Directives	CE EMC Directive 2014/30/EU , RoHS Directive 2011/65/EU
EN standard	EN 15091, ETSI EN 301 489-1 V1.9.2 , ETSI EN 300 328 v2.2.2 , EN 61000-6-1:2007 , EN 61000-6-3:2007+A1:2011+AC:2012 , EN 60335-1:2012+A11+A13+A14+A15:2021, Part 19.11.4
Noise class	I (ISO 3822)
Protection class	IP 55

APPROVALS AND DECLARATIONS

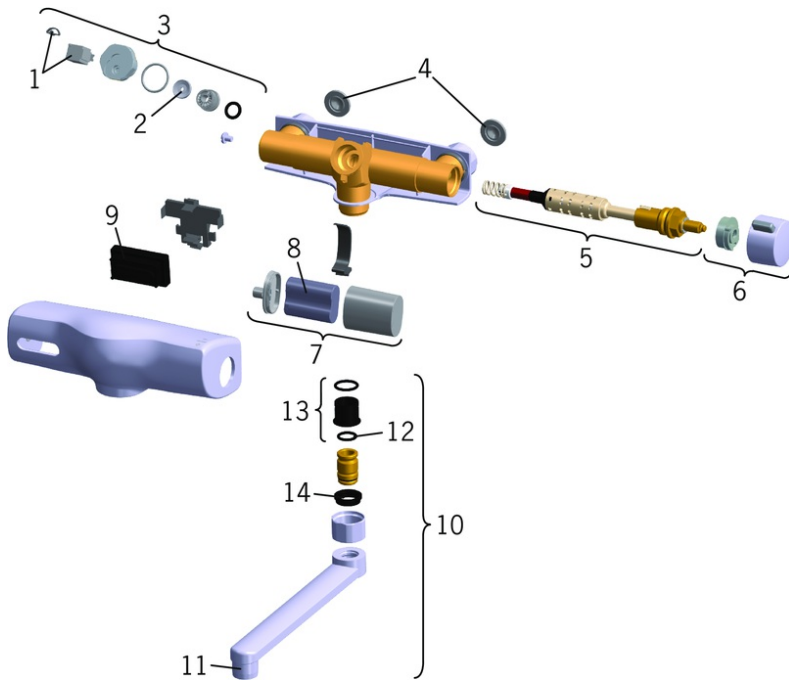
KIWA SE	1647
UN38.3	UN38-3 Maxell 2CR5
Declaration of conformity	EMC
EPD	S-P-06394

SUSTAINABILITY

EPD module A1-A3 (kg CO2 eq.)	9,76
EPD module A4 (kg CO2 eq.)	0,39
EPD module B7 (kg CO2 eq.)	430,00
EPD module C2 (kg CO2 eq.)	0,02
EPD module C3 (kg CO2 eq.)	0,02
EPD module C4 (kg CO2 eq.)	0,26
EPD module D (kg CO2 eq.)	-7,07



SPARE PARTS



SP6179

Name	Code
01 Pilot valve	199426V
02 Membrane	199240V
03 Solenoid valve	199423V
04 Filter sealing, G3/4, DN20	178375V
05 Pressostatic cartridge	199434V
06 Temperature control handle Chrome	169945V
07 Battery casing	199438V
08 Lithium battery, 2CR5 6 V	198330
09 Sensor, 6 V	600201V
10 Swivel spout, L=100 Chrome	211212
10 Swivel spout, L=200 Chrome	211222
11 Aerator, M22x1	199435V
12 O-ring, 13.6x2.4	469360/10
13 Bushing (10 pcs), 18/20.6 Chrome	219595/10
14 Retaining ring (10 pcs)	219563/10