



6204 ORAS ELECTRA WASHBASIN FAUCET, 230

V **DISCONTINUED**

TOUCHLESS, EXTERNAL TRANSFORMER

EAN: 6414150027338 static.oras.com/6204

Touchless basin faucet with a mixer valve. Fixed electrical connection 230 V. Recognition range can be adjusted from the faucet.

Oras Data Terminal can be used to set parameters, collect data and carry out a variety of servicing operations.

- Public & Semi-public, Industry
- Deck mounted
- Chrome
- Standard aerator
- Temperature control handle
- Litter filter(s), Non-return valve(s)
- Infrared sensor, Power supply



TECHNICAL DATA

FLOW PROPERTIES

Flow-rate at 300 kPa (with flow controller)	0.11 l/s
Pressure loss with flow (0.1 l/s)	170 kPa

TECHNICAL PROPERTIES

Hot water supply	max. +70°C
Working pressure	100 - 1000 kPa
Connection size	Ø 10 mm
Projection	120 mm
Backflow prevention (EN1717)	AA
Material	Brass

SOFTWARE SETTINGS

Afterflow period	1 s (0-255 s)
Max. flow period	2 min (1 - 255 s)

ELECTRONIC PROPERTIES

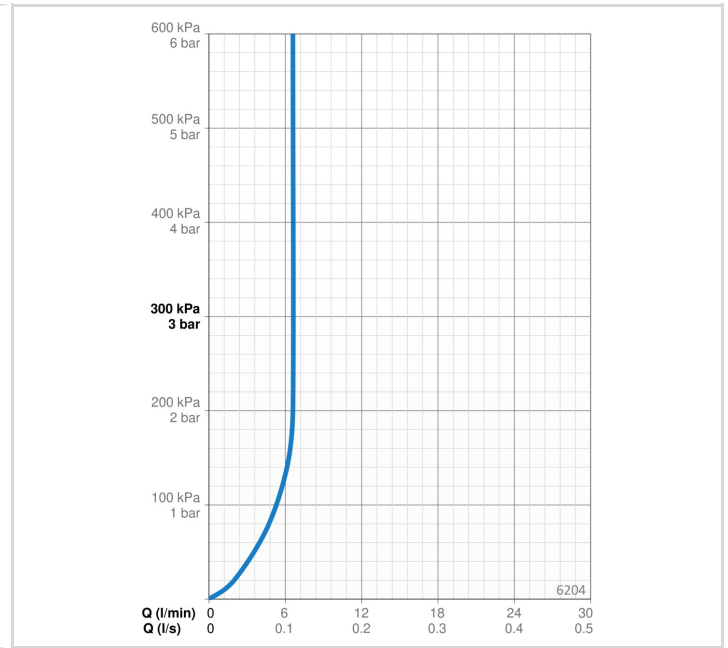
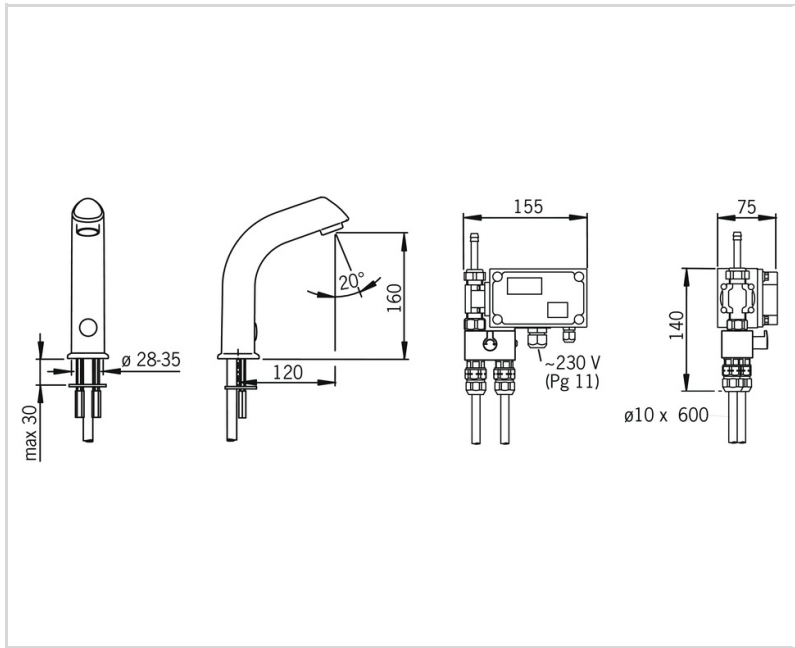
Electrical Connection	230 VAC
-----------------------	---------

REGULATIONS

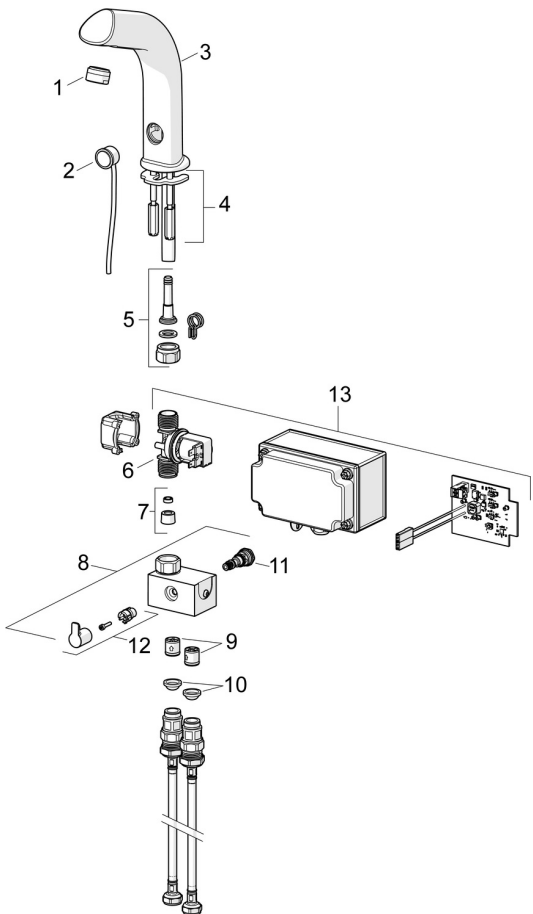
EU Directives	CE Low Voltage Directive 2014/35/EU , EMC Directive 2014/30/EU , RoHS Directive 2011/65/EU
EN standard	EN 15091, ETSI EN 301 489-1 V1.9.2 , ETSI EN 300 328 v2.2.2 , EN 61000-6-1:2007 , EN 61000-6-3:2007+A1:2011+AC:2012 , EN 60335-1:2012+A11+A13+A14+A14+A2+A15:2021, Part 19.11.4
Noise class	I (ISO 3822)
Protection class	IP 67

APPROVALS AND DECLARATIONS

Declaration of conformity	LVD
---------------------------	-----



SPARE PARTS



SP6204

Name	Code
01 Aerator, M24x1 STD HC A Chrome	232211
02 Photocell	198081
03 Spout Chrome	198093
04 Fixing plates with nuts	158697
05 Hose coupling, G1/2xD9	198008V
06 Solenoid valve, 230 V	198092
07 Flow limiter, 6 l/min	198084
08 Mixing valve Chrome	600934V
09 Non-return valve, DN15	105311
10 Litter filters, G1/2, DN15	198094/2
11 Temperature regulator	199201V
12 Temperature control handle Chrome	600493V
13 Update kit	1015611V