



6217A ORAS ELECTRA BODY FOR WASHBASIN OR SHOWER FAUCET

CONCEALED UNIT, TOUCHLESS

EAN: 6414150060052 static.oras.com/6217A



- Public & Semi-public
- Concealed wall mounting
- Litter filter(s), Thermostatic cartridge for automatic temperature control
- Solenoid valve

TECHNICAL DATA

TECHNICAL PROPERTIES

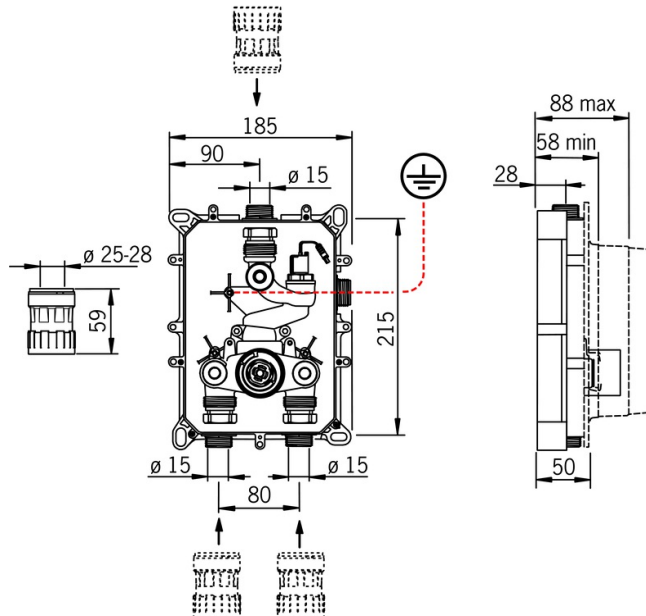
Hot water supply	max. +70°C
Working pressure	100 - 1000 kPa
Connection size	Ø 15 mm
Material	Brass

REGULATIONS

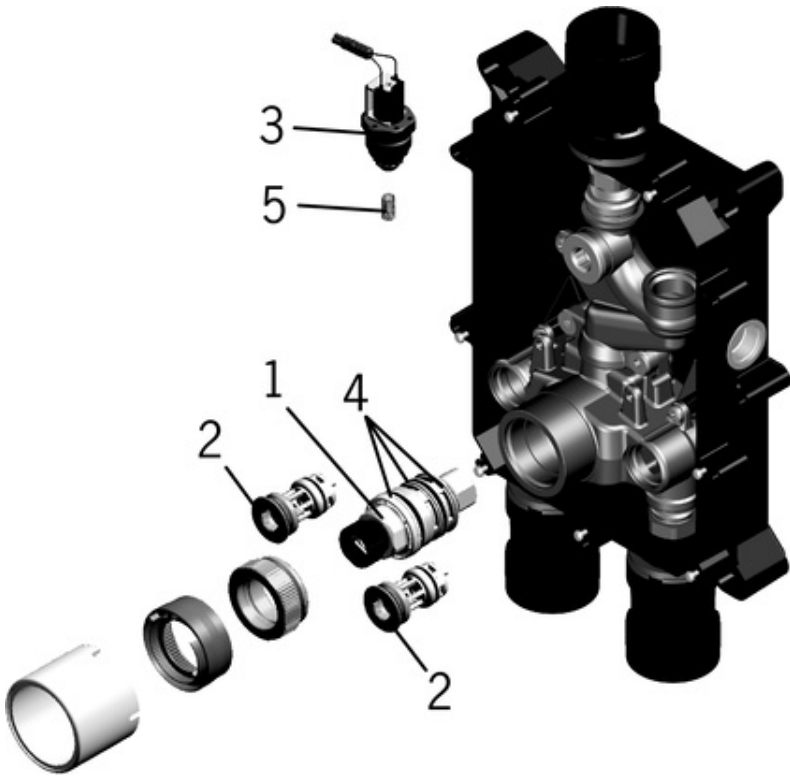
EN standard	EN 15091, EN1111
-------------	------------------

APPROVALS AND DECLARATIONS

STF certificate	EUF129-21002459-TH2
Declaration of conformity	DoC



SPARE PARTS



SP6217A

	Name	Code
01	Thermostatic cartridge	178780V
02	One-way valve with litter screen	178295
03	Solenoid valve, 6 V	199206V
04	O-ring kit	178796V
05	Litter filter	600038V