



# 6221FZ ORAS ELECTRA WASHBASIN FAUCET, LOW PRESSURE, 12 V, BLUETOOTH

DISCONTINUED

TOUCHLESS, LOW PRESSURE, BLUETOOTH®

EAN: 6414150085888 [static.oras.com/6221FZ](http://static.oras.com/6221FZ)

Low pressure model. Touchless washbasin faucet with a temperature adjustment handle. The faucet can be taken out of operation, e.g. for cleaning the basin, by placing a cleaning cover over the sensor. The faucet is equipped with litter filters, non-return valves and flexible pipes. No adjustments need to be made at installation because an advanced Autofocus sensor is used. Bluetooth connection enables easy monitoring and adjustments of the faucet.

Electrical connection 9 V or 12 V via a separate power supply (e.g. Oras No. 199275).



- Public & Semi-public
- Deck mounted
- Chrome
- Fixed spout, Casted construction
- Protection against burglary, Standard aerator
- Temperature control handle
- Non-return valve(s), Litter filter(s)
- Autofocus infrared sensor, Solenoid valve
- Flexible inlet pipes
- 3S-installation system for safe and simple mounting, Software settings adjustable via App

## TECHNICAL DATA

### FLOW PROPERTIES

Flow-rate at 300 kPa (with flow controller)	0.1 l/s
Pressure loss with flow (0.1 l/s)	200 kPa

### TECHNICAL PROPERTIES

Hot water supply	max. +70°C
Working pressure	50 - 500 kPa
Connection size	G3/8
Projection	112 mm
Backflow prevention (EN1717)	AA
Material	Brass

### SOFTWARE SETTINGS

Afterflow period	3 s (1-20 s)
Automatic flush	off (off/1-120 h)
Automatic flush period	30 s (1-1800 s)
Max. flow period	2 min (1 - 1800 s)

### ELECTRONIC PROPERTIES

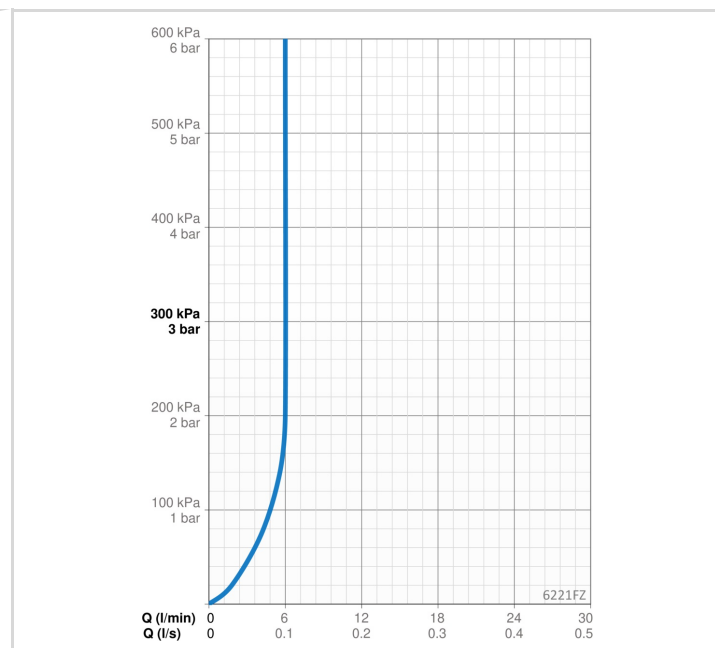
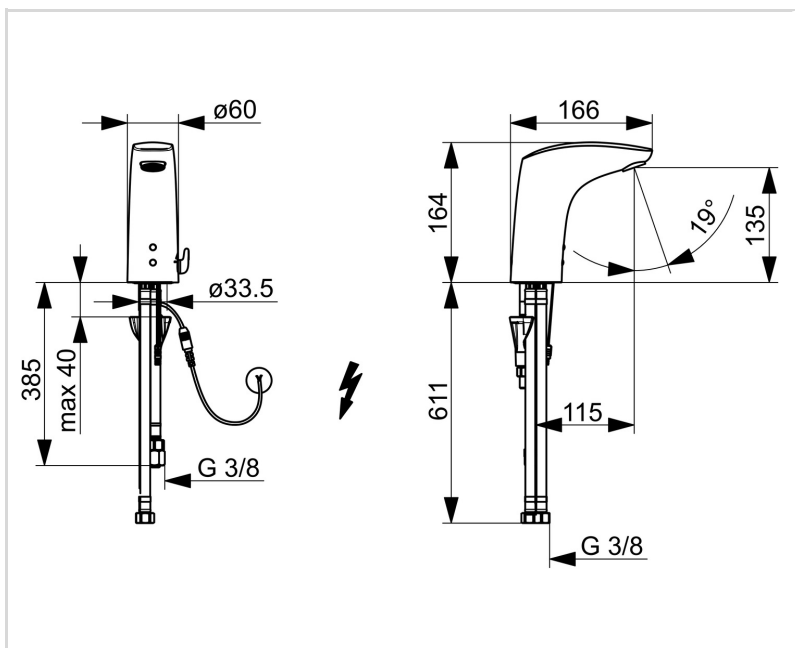
Electrical Connection	9 / 12 V
Bluetooth version	4.x (D034445)

### REGULATIONS

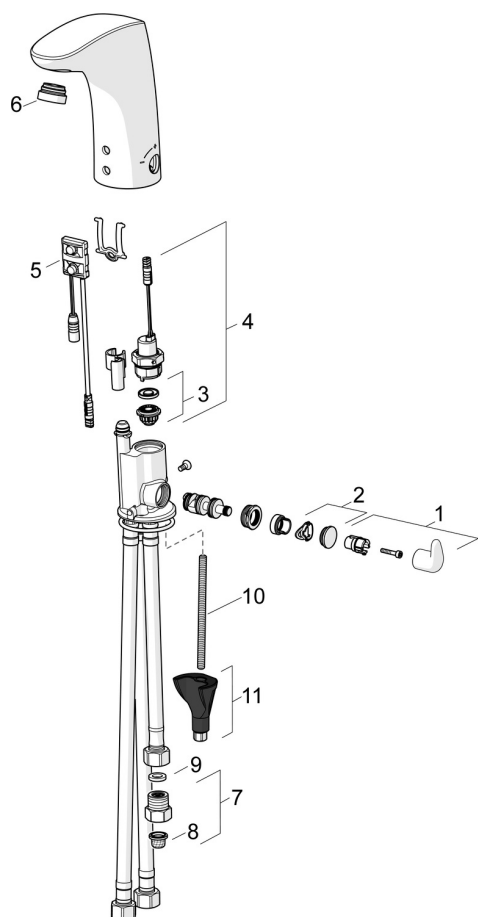
EU Directives	CE Radio Equipment Directive 2014/53/EU , Low Voltage Directive 2014/35/EU , EMC Directive 2014/30/EU , RoHS Directive 2011/65/EU
EN standard	EN 15091, ETSI EN 301 489-1 V1.9.2 , ETSI EN 300 328 v2.2.2 , EN 61000-6-1:2007 , EN 61000-6-3:2007+A1:2011+AC:2012 , EN 60335-1:2012+A11+A13+A1+A14+A2+A15:2021, Part 19.11.4
Noise class	I (ISO 3822)
Protection class	IP 55

### APPROVALS AND DECLARATIONS

Declaration of conformity	RED
---------------------------	-----



**SPARE PARTS**



**SP6221FZ**

Name	Code
01 Temperature control handle Chrome	600581V
02 Cover plug Chrome	600749V
03 Membrane support ring Discontinued	199205V
03 Membrane for solenoid valve	1006500V
04 Solenoid valve, 6 V	199206V
05 Sensor, 6/9/12 V, Bluetooth	1001424V
06 Aerator, M24x1 Chrome	1003282V
07 Flow limiter, 5 L/min	601493V
08 Litter filters	199257/2
09 Gasket, 8x14.3x2	600705/10
10 Fixing screw, M8x1, L=130	1000780V
11 Fixing set	602610V