



6337FT ORAS ELECTRA WASHBASIN FAUCET, 230/12

V DISCONTINUED

TOUCHLESS, PLUG TRANSFORMER, BIDETTA

EAN: 6414150076459 static.oras.com/6337FT

Touchless washbasin faucet with a temperature adjustment handle and Bidetta hand shower. Length of spout 170 mm. The faucet is equipped with litter filters, non-return valves and Autofocus sensor which enables installation without adjustments. The adjustment values can be changed according to the conditions in the place of use with pre-programmed parameters. Flow controller (6 l/min) enables low water consumption. Electrical connection with a plug transformer 230/12 V. Alternative: concealed power supply 199275. A maximum five of these items can be connected to the power supply at a time.



- Public & Semi-public
- Deck mounted
- Chrome
- Standard aerator
- Temperature control handle
- Hand shower, Shower holder, Shower hose (1500 mm)
- Bidetta hand shower
- Adjustable hot water stop (included, retrofittable)
- Mixing valve for manual temperature control, Non-return valve(s), Litter filter(s)
- Autofocus infrared sensor, Solenoid valve, Power supply, Low battery indicator
- Flexible inlet pipes
- 1 spray function

TECHNICAL DATA

FLOW PROPERTIES

Flow-rate at 300 kPa (with flow controller)	0.1 l/s
Pressure loss with flow (0.1 l/s)	200 kPa

TECHNICAL PROPERTIES

Hot water supply	max. +70°C
Working pressure	100 - 1000 kPa
Connection size	G3/8
Projection	170 mm
Backflow prevention (EN1717)	HC
Material	Brass

SOFTWARE SETTINGS

Afterflow period	2 s ± 1 s
Max. flow period	2 min

ELECTRONIC PROPERTIES

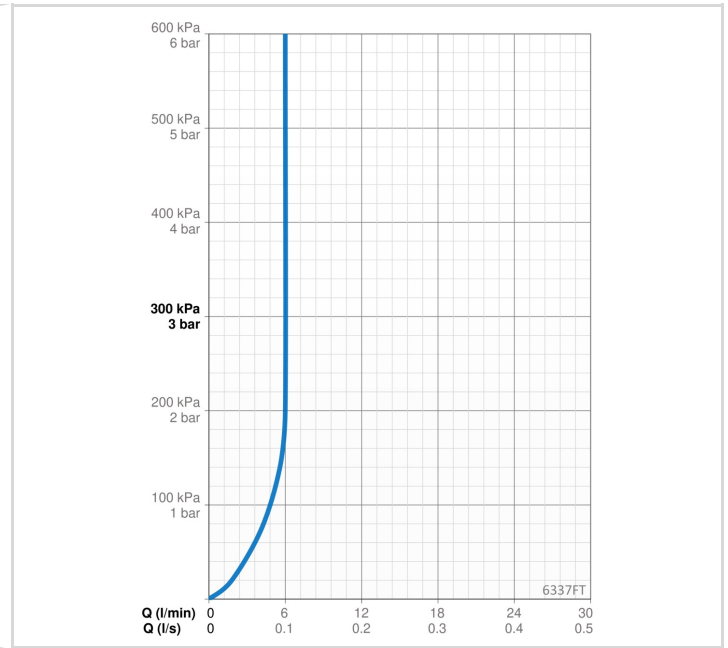
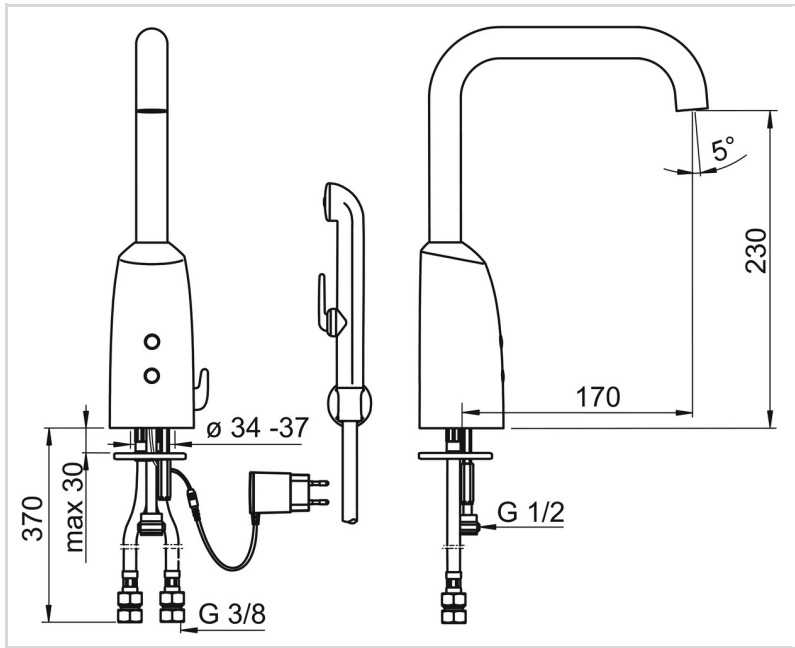
Electrical Connection	230 / 12 V
-----------------------	------------

REGULATIONS

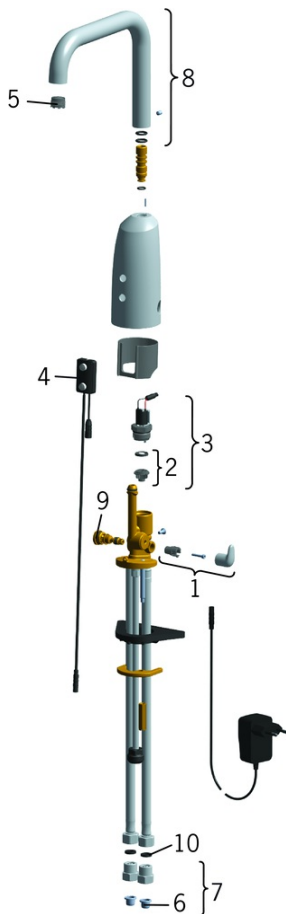
EU Directives	CE Low Voltage Directive 2014/35/EU , EMC Directive 2014/30/EU , RoHS Directive 2011/65/EU
EN standard	EN 15091, ETSI EN 301 489-1 V1.9.2 , ETSI EN 300 328 v2.2.2 , EN 61000-6-1:2007 , EN 61000-6-3:2007+A1:2011+AC:2012 , EN 60335-1:2012+A11+A13+A14+A14+A2+A15:2021, Part 19.11.4
Noise class	I (ISO 3822)
Protection class	IP 55 / transformer IP 40

APPROVALS AND DECLARATIONS

Declaration of conformity	LVD
---------------------------	-----



SPARE PARTS



SP6337FT

Name	Code
01 Temperature control handle Chrome	600581V
02 Membrane support ring Discontinued	199205V
02 Membrane for solenoid valve	1006500V
03 Solenoid valve, 6 V	199206V
04 Sensor, 12 V Discontinued	600836V
04 Sensor, 6/9/12 V Bluetooth	1005063V
05 Aerator and key, M18.5x1 Z	600961V
06 Litter filters	199257/2
07 One-way valve with litter screen Chrome	198473/2
08 Spout, L=181	600724V
09 Temperature regulator	199201V
10 Gasket, 8x14.3x2	600705/10