



# 6375 ORAS ETERNA BATH AND SHOWER FAUCET, 3

**V** DISCONTINUED

BATTERY-OPERATED, THERMOSTATIC

EAN: 6414150065606 [static.oras.com/6375](http://static.oras.com/6375)

Thermostatic bath and shower faucet which quickly and accurately reacts on the temperature changes of input water maintaining the requested temperature. The temperature control handle is equipped with a temperature regulator which can be bypassed by pressing the button (preset to 38°C). The spout acts as a diverter turning 90° and controlling the water flow either from the spout or from the shower. Oras Eterna's EcoLed press pad indicates with signal lights the ideal duration of shower considering water and energy consumption and acts as a flow regulator.

The faucet is delivered with litter filters and one-way valves.

- Wall mounted
- Chrome
- Temperature control handle, Flow control handle, Safety feature for water temperature
- Turn operated diverter, Integrated into spout
- Press pad with EcoLed
- Safety stop against scalding at 38°C
- Litter filter(s), Non-return valve(s), Mixing valve for manual temperature control, Thermostatic cartridge for automatic temperature control
- Solenoid valve, Light indicated function(s), Low battery indicator
- Direct connection, Internal thread
- Filling time: 10 min (0 - 15 min)

## TECHNICAL DATA

### FLOW PROPERTIES

Flow-rate at 300 kPa	0.33 / 0.20 l/s
Pressure loss with flow (0.3 l/s)	280 kPa

### TECHNICAL PROPERTIES

DN-size (nominal dimension)	DN15
Hot water supply	max. +70°C
Working pressure	100 - 1000 kPa
Connection size	G1/2
Installation width	150 ± 3 mm
Projection	120 mm
Backflow prevention (EN1717)	EB
Material	Brass

### SOFTWARE SETTINGS

Max. flow period	4 min
------------------	-------

### ELECTRONIC PROPERTIES

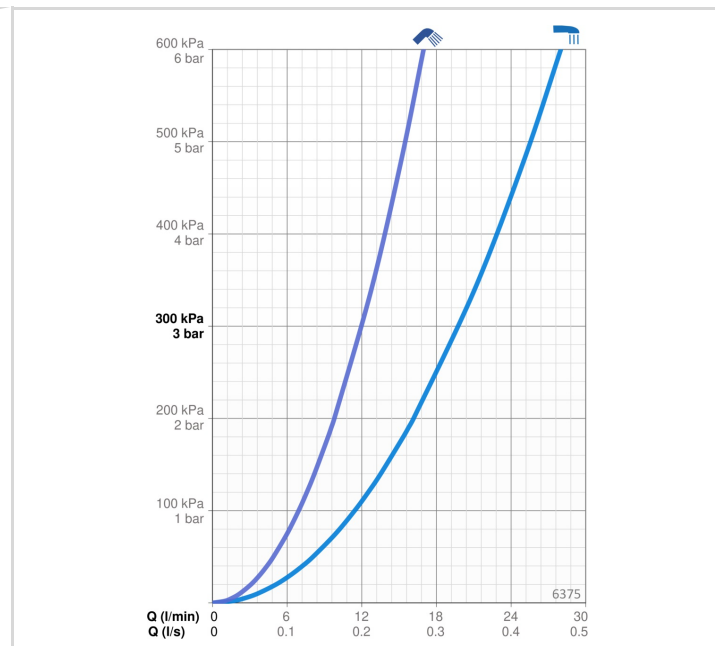
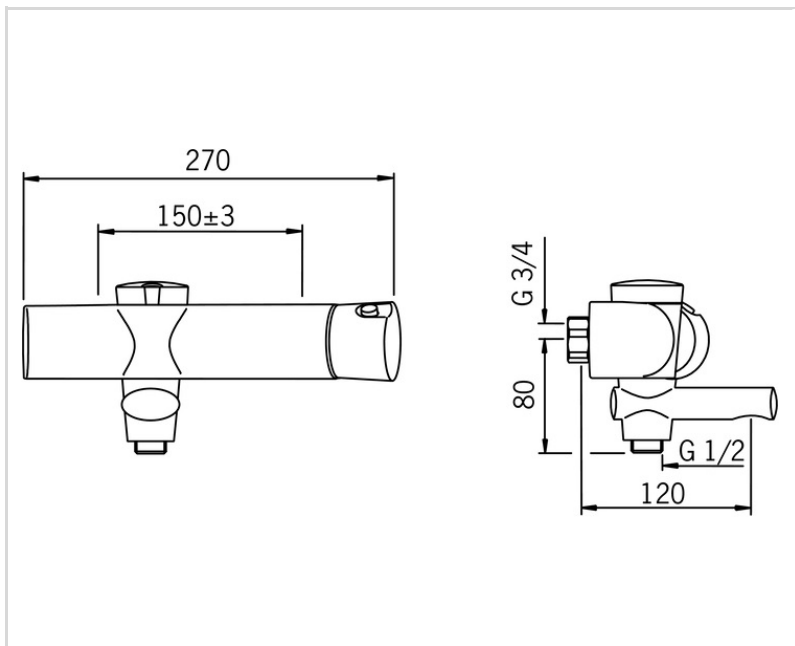
Battery	AA 1.5 V Lithium x 2
---------	----------------------

### REGULATIONS

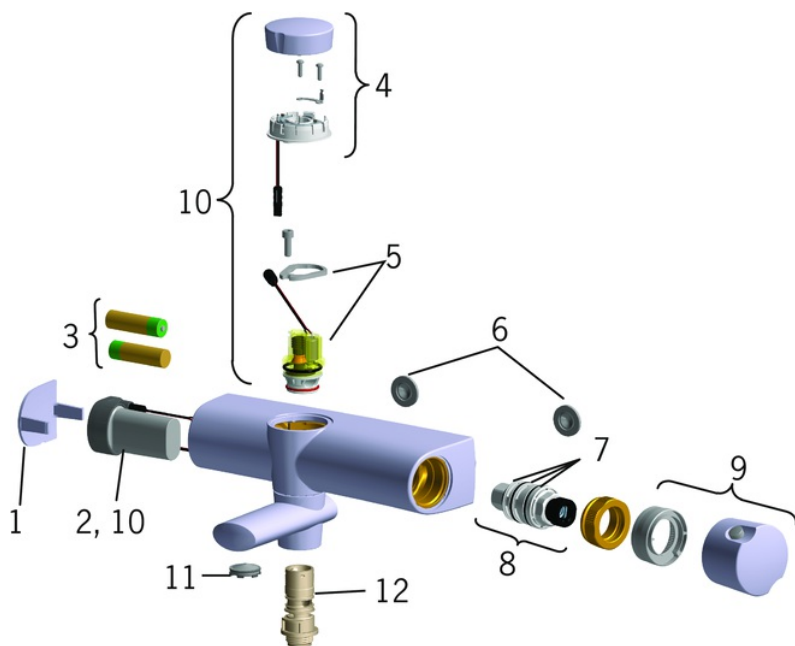
EU Directives	CE EMC Directive 2014/30/EU , RoHS Directive 2011/65/EU
EN standard	EN 1111 , EN 15091, ETSI EN 301 489-1 V1.9.2 , ETSI EN 300 328 v2.2.2 , EN 61000-6-1:2007 , EN 61000-6-3:2007+A1:2011+AC:2012 , EN 60335-1:2012+A11+A13+A14+A15:2021, Part 19.11.4
Noise class	II / I (ISO 3822)
Protection class	IP 55

### APPROVALS AND DECLARATIONS

UN38.3	1118120077
Declaration of conformity	EMC



**SPARE PARTS**



**SP6375**

Name	Code
01 Cover plate Discontinued	600609V
02 Control unit, 3 V	602269V
03 Battery, (2x) 1.5 V AA Lithium	600599V
04 EcoLed press pad	602180V
05 Solenoid valve	602182V
06 Filter sealing, G3/4, DN20	178375V
07 O-ring kit	178796V
08 Thermostatic cartridge	178780V
09 Temperature control handle	600612V
10 Update kit	602303V
11 Water star, M24x1 Discontinued	600679V
12 Supply pipe bushing	600680V