



- Wall mounted
- Chrome
- Temperature control handle
- Litter filter(s), Thermostatic cartridge for automatic temperature control
- Solenoid valve, Light indicated function(s), Low battery indicator
- Filling time: 10 min (0 - 15 min)

## TECHNICAL DATA

### FLOW PROPERTIES

Flow-rate at 300 kPa	0.22 l/s
Pressure loss with flow (0.2 l/s)	250 kPa

### TECHNICAL PROPERTIES

Hot water supply	max. +70°C
Working pressure	100 - 1000 kPa
Connection size	G1/2
Installation width	160 mm
Material	Brass

### SOFTWARE SETTINGS

Max. flow period	4 min
------------------	-------

### ELECTRONIC PROPERTIES

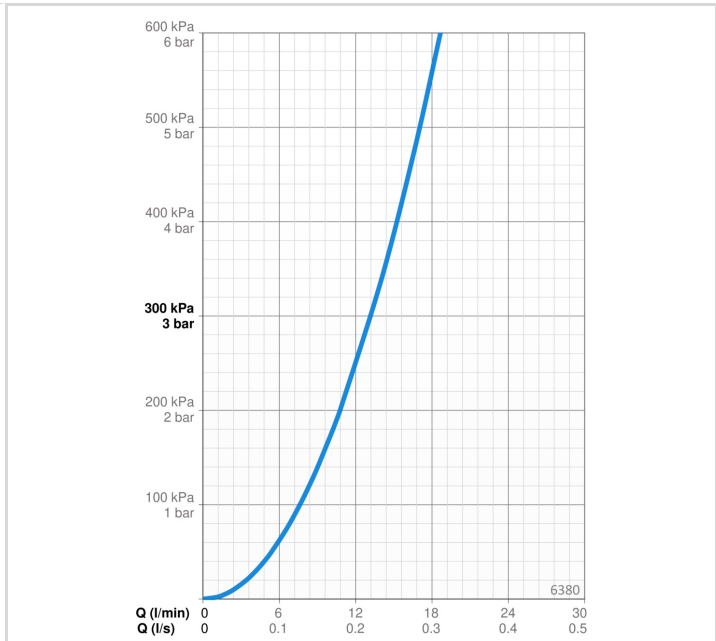
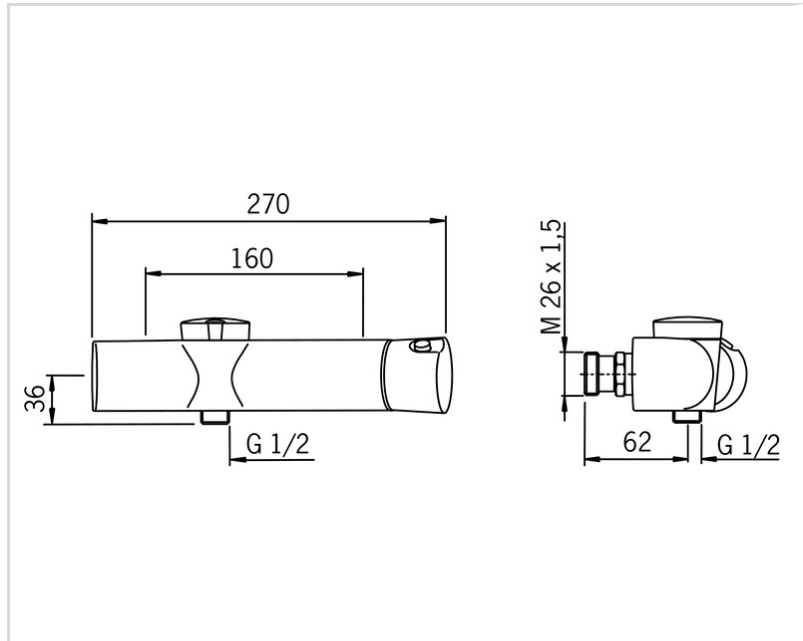
Battery	AA 1.5 V Lithium x 2
---------	----------------------

### REGULATIONS

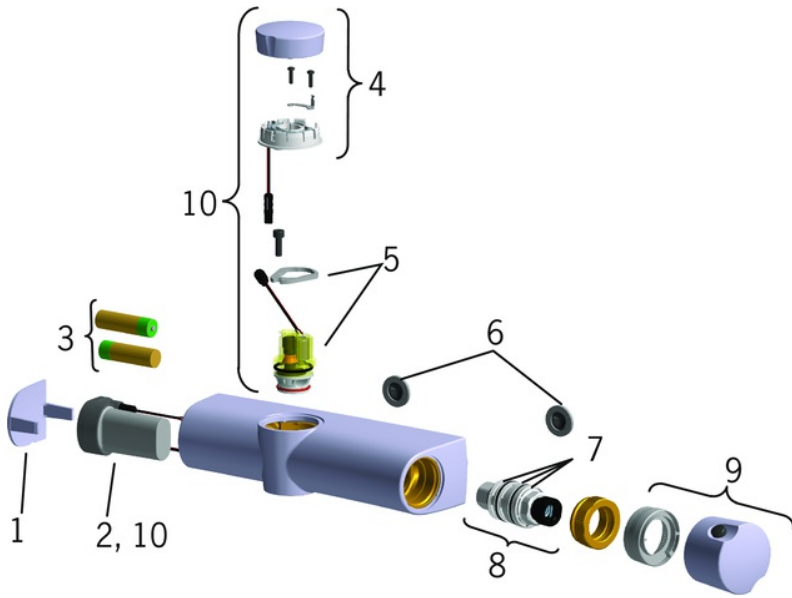
EU Directives	CE EMC Directive 2014/30/EU , RoHS Directive 2011/65/EU
EN standard	EN 15091, ETSI EN 301 489-1 V1.9.2 , ETSI EN 300 328 v2.2.2 , EN 61000-6-1:2007 , EN 61000-6-3:2007+A1:2011+AC:2012 , EN 60335-1:2012+A11+A13+A14+A14+A2+A15:2021, Part 19.11.4
Noise class	I (ISO 3822)
Protection class	IP 55

### APPROVALS AND DECLARATIONS

UN38.3	1118120077
Declaration of conformity	EMC



**SPARE PARTS**



**SP6380**

	<b>Name</b>	<b>Code</b>
01	Cover plate Discontinued	600609V
02	Control unit, 3 V	602269V
03	Battery, (2x) 1.5 V AA Lithium	600599V
04	EcoLed press pad	602180V
05	Solenoid valve	602182V
06	Litter filters, G1/2, DN15	198094/2
07	O-ring kit	178796V
08	Thermostatic cartridge	178780V
09	Temperature control handle	600612V
10	Update kit	602303V