



6388U ORAS ETERNA SHOWER FAUCET WITH SHOWER SET, 3 V

DISCONTINUED

BATTERY-OPERATED, THERMOSTATIC

EAN: 6414150066405 static.oras.com/6388U

Thermostatic shower faucet which quickly and accurately reacts on the temperature changes of input water maintaining the requested temperature. The temperature control handle is equipped with a temperature regulator which can be bypassed by pressing the button (preset to 38°C). Oras Eterna's EcoLed press pad indicates with signal lights the ideal duration of shower considering water and energy consumption and acts as a flow regulator.

The product includes cover flanges and eccentrics. The faucet is delivered with litter filters and one-way valves.

Oras Natura shower set: With the eco-button on the hand shower you can save up to 50 % of water. Shower set includes: shower rail (adjustable installation distance), hand shower, hand shower holder, shower hose, a spacious soap cup and a wall bracket



- Health & Care
- Wall mounted
- Chrome
- Temperature control handle, Flow control handle
- Press pad with EcoLed
- Hand shower, Shower rail, Adjustable shower rail bracket, Soap dish, Shower holder, Shower hose (1500 mm)
- Litter filter(s), Non-return valve(s), Mixing valve for manual temperature control, Thermostatic cartridge for automatic temperature control
- Solenoid valve, Light indicated function(s), Low battery indicator
- Eccentric coupling(s), Cover plate(s)
- Filling time: 10 min (0 - 15 min)

TECHNICAL DATA

FLOW PROPERTIES

Eco-flow at 300 kPa	0.12 l/s
Flow-rate at 300 kPa	0.22 l/s
Pressure loss with flow (0.2 l/s)	250 kPa

TECHNICAL PROPERTIES

Hot water supply	max. +70°C
Working pressure	100 - 1000 kPa
Connection size	G1/2
Installation width	150 ± 15 mm
Backflow prevention (EN1717)	EB
Material	Brass

SOFTWARE SETTINGS

Max. flow period	4 min
------------------	-------

ELECTRONIC PROPERTIES

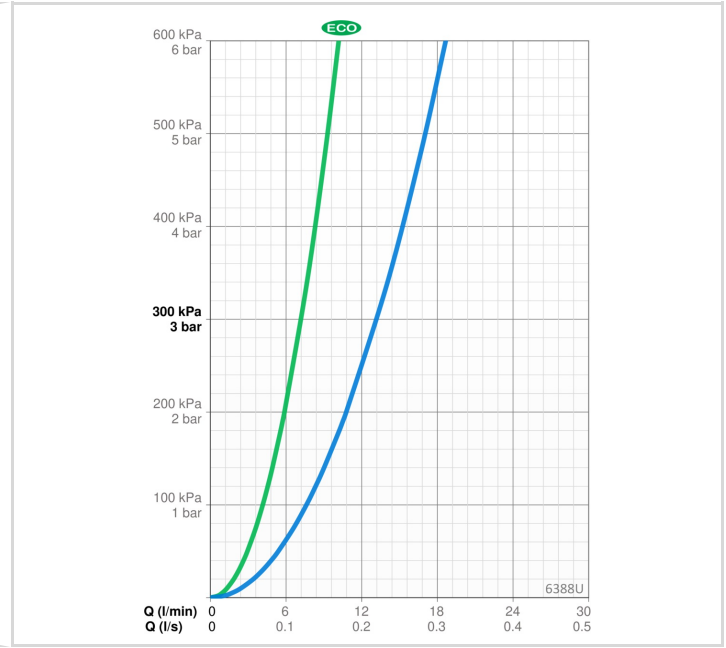
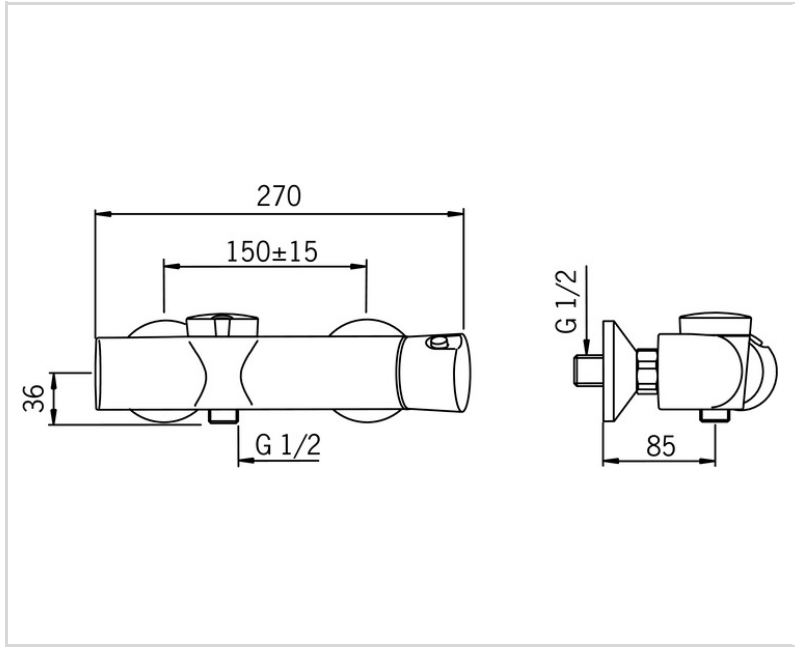
Battery	AA 1.5 V Lithium x 2
---------	----------------------

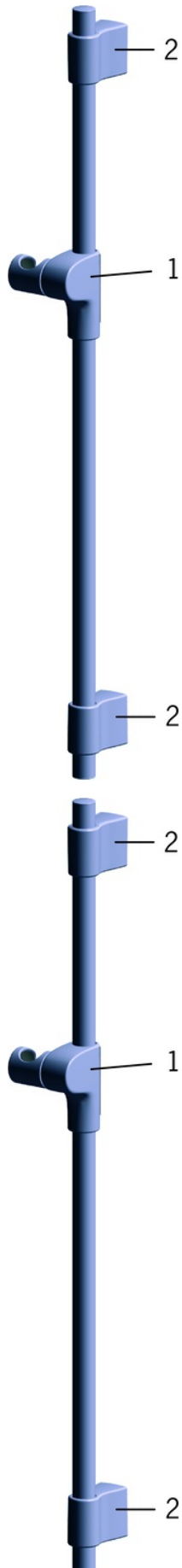
REGULATIONS

EU Directives	CE EMC Directive 2014/30/EU , RoHS Directive 2011/65/EU
EN standard	EN 1111 , EN 15091, ETSI EN 301 489-1 V1.9.2 , ETSI EN 300 328 v2.2.2 , EN 61000-6-1:2007 , EN 61000-6-3:2007+A1:2011+AC:2012 , EN 60335-1:2012+A11+A13+A14+A2+A15:2021, Part 19.11.4
Noise class	I (ISO 3822)
Protection class	IP 55

APPROVALS AND DECLARATIONS

Declaration of conformity	EMC
---------------------------	-----





SP500

	Name	Code
01	Slide for shower rail	600536V
02	Wall bracket	600538V

SP6370

	Name	Code
01	Cover plate Discontinued	600609V
02	Control unit, 3 V	602269V
03	Battery, (2x) 1.5 V AA Lithium	600599V
04	EcoLed press pad	602180V
05	Solenoid valve	602182V
06	Filter sealing, G3/4, DN20	178375V
07	O-ring kit	178796V
08	Thermostatic cartridge	178780V
09	Temperature control handle	600612V
10	Update kit	602303V