



6389 ORAS ETERNA ECO BATH AND SHOWER FAUCET WITH SHOWER SET, 3 V

DISCONTINUED

BATTERY-OPERATED, THERMOSTATIC

EAN: 6414150066382 static.oras.com/6389

Thermostatic bath and shower faucet which quickly and accurately reacts on the temperature changes of input water maintaining the requested temperature. The temperature control handle is equipped with a temperature regulator which can be bypassed by pressing the button (preset to 38°C). The spout acts as a diverter turning 90° and controlling the water flow either from the spout or from the shower. Oras Eterna's EcoLed press pad indicates with signal lights the ideal duration of shower considering water and energy consumption and acts as a flow regulator.

The faucet is delivered with litter filters and one-way valves.

Oras Natura shower set: With the eco-button on the hand shower you can save up to 50 % of water. Shower set includes: shower rail (adjustable installation distance), hand shower, hand shower holder, shower hose, a spacious soap cup and a wall bracket



- Wall mounted
- Chrome
- Temperature control handle, Flow control handle, Safety feature for water temperature
- Turn operated diverter, Integrated into spout
- Press pad with EcoLed
- Hand shower, Shower rail, Adjustable shower rail bracket, Soap dish, Shower holder, Shower hose (1500 mm)
- Safety stop against scalding at 38°C
- Litter filter(s), Non-return valve(s), Mixing valve for manual temperature control, Thermostatic cartridge for automatic temperature control
- Solenoid valve, Light indicated function(s), Low battery indicator
- Direct connection, Internal thread
- Filling time: 10 min (0 - 15 min)

TECHNICAL DATA

FLOW PROPERTIES

Eco-flow at 300 kPa	0.11 l/s
Flow-rate at 300 kPa	0.33 / 0.20 l/s
Pressure loss with flow (0.2 l/s)	300 kPa
Pressure loss with flow (0.3 l/s)	280 kPa

TECHNICAL PROPERTIES

DN-size (nominal dimension)	DN15
Hot water supply	max. +70°C
Working pressure	100 - 1000 kPa
Connection size	G1/2
Installation width	150 ± 3 mm
Projection	120 mm
Backflow prevention (EN1717)	EB
Material	Brass

SOFTWARE SETTINGS

Max. flow period	4 min
------------------	-------

ELECTRONIC PROPERTIES

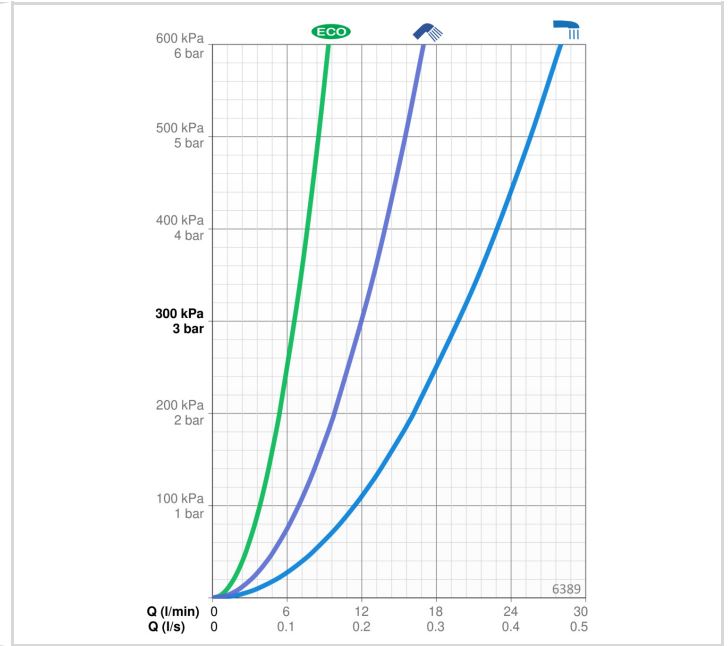
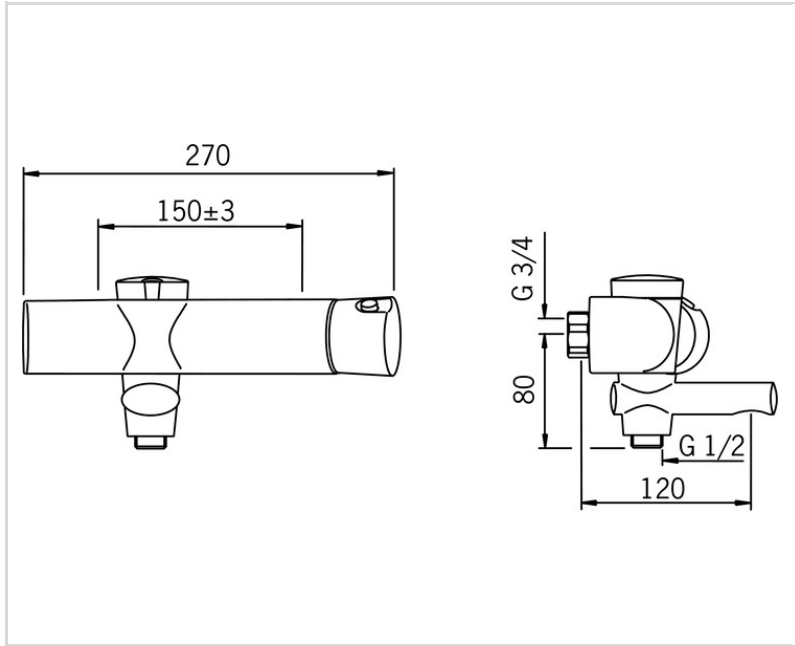
Battery	AA 1.5 V Lithium x 2
---------	----------------------

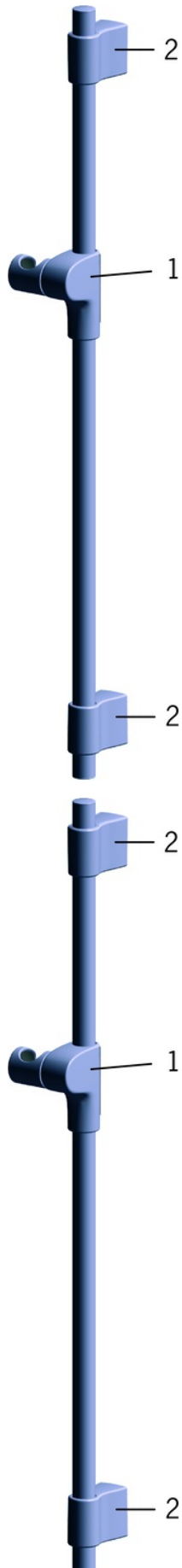
REGULATIONS

EU Directives	CE EMC Directive 2014/30/EU , RoHS Directive 2011/65/EU
EN standard	EN 1111 , EN 15091, ETSI EN 301 489-1 V1.9.2 , ETSI EN 300 328 v2.2.2 , EN 61000-6-1:2007 , EN 61000-6-3:2007+A1:2011+AC:2012 , EN 60335-1:2012+A11+A13+A14+A2+A15:2021, Part 19.11.4
Noise class	II / I (ISO 3822)
Protection class	IP 55

APPROVALS AND DECLARATIONS

Declaration of conformity	EMC
---------------------------	-----





SP500

	Name	Code
01	Slide for shower rail	600536V
02	Wall bracket	600538V

SP6375

	Name	Code
01	Cover plate Discontinued	600609V
02	Control unit, 3 V	602269V
03	Battery, (2x) 1.5 V AA Lithium	600599V
04	EcoLed press pad	602180V
05	Solenoid valve	602182V
06	Filter sealing, G3/4, DN20	178375V
07	O-ring kit	178796V
08	Thermostatic cartridge	178780V
09	Temperature control handle	600612V
10	Update kit	602303V
11	Water star, M24x1 Discontinued	600679V
12	Supply pipe bushing	600680V