



# 6568Z ORAS ELECTRA URINAL FLUSHER, 6 V, BLUETOOTH

TOUCHLESS, BLUETOOTH®, BATTERY-OPERATED

EAN: 6414150095740 [static.oras.com/6568Z](http://static.oras.com/6568Z)



- Public & Semi-public
- Wall mounted
- Chrome
- Litter filter(s)
- Autofocus infrared sensor, Solenoid valve, Low battery indicator
- Direct connection, Internal thread
- Software settings adjustable via App

## TECHNICAL DATA

### FLOW PROPERTIES

Flow-rate at 300 kPa	0.58 l/s
Pressure loss with flow (0.2 l/s)	40 kPa

### TECHNICAL PROPERTIES

Hot water supply	max. +70°C
Working pressure	50 - 1000 kPa
Connection size	G3/4
Projection	81 mm
Material	Brass

### SOFTWARE SETTINGS

Automatic flush	24 h (off/1-120 h)
Automatic flush period	6 s (1-120 s)
Pre-flush period	2 s (OFF / 1-10 s)

### ELECTRONIC PROPERTIES

Battery	Lithium 2CR5 6 V
Bluetooth version	4.x (D034445)

### REGULATIONS

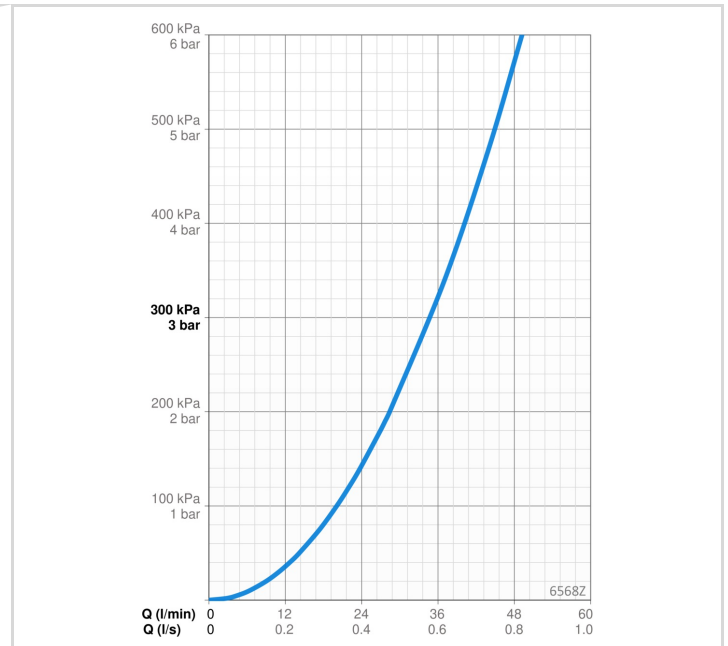
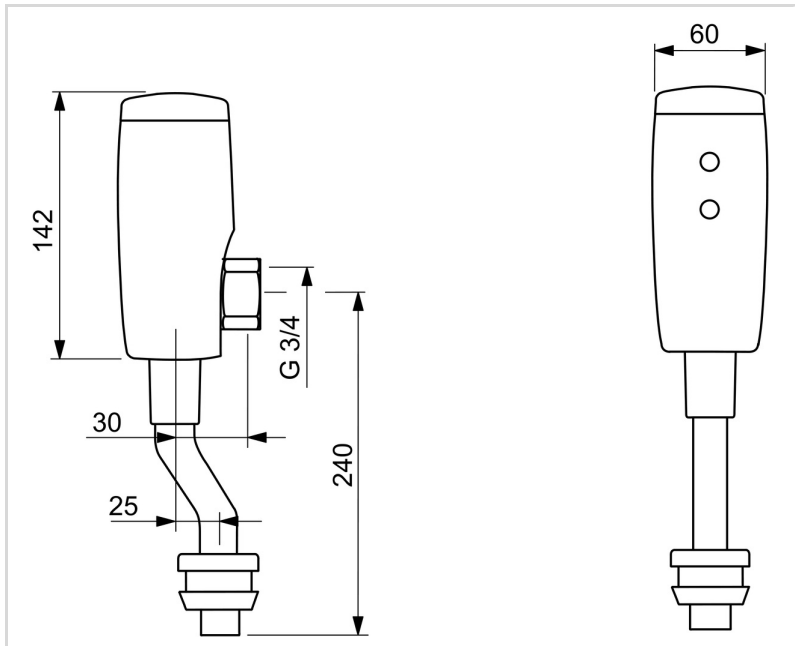
EU Directives	CE Radio Equipment Directive 2014/53/EU , Low Voltage Directive 2014/35/EU , EMC Directive 2014/30/EU , RoHS Directive 2011/65/EU
EN standard	EN 15091, ETSI EN 301 489-1 V1.9.2 , ETSI EN 300 328 v2.2.2, EN 18031-1, EN 61000-6-1:2007 , EN 61000-6-3:2007+A1:2011+AC:2012 , EN 60335-1:2012+A11+A13+A14+A2+A15:2021, Part 19.11.4
Protection class	IP 55

### APPROVALS AND DECLARATIONS

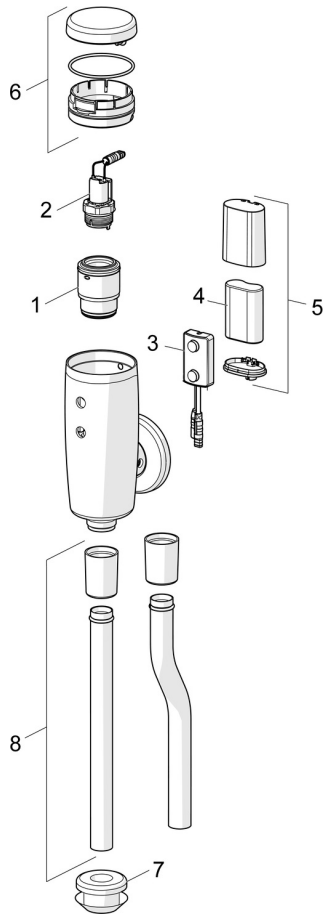
STF certificate	EUF129-22000144-TH3
UN38.3	UN38-3 Maxell 2CR5
Declaration of conformity	RED
EPD	S-P-07806

### SUSTAINABILITY

EPD module A1-A3 (kg CO2 eq.)	9,66
EPD module A4 (kg CO2 eq.)	0,24
EPD module B7 (kg CO2 eq.)	19035,60
EPD module C2 (kg CO2 eq.)	0,01
EPD module C3 (kg CO2 eq.)	0,01
EPD module C4 (kg CO2 eq.)	1,23
EPD module D (kg CO2 eq.)	-5,02



## SPARE PARTS



## SP6567

Name	Code
01 Membrane housing	199297V
02 Pilot valve, 6 V	199225V
03 Sensor, 6/9/12 V Bluetooth	1002253V
03 Sensor, 6 V Discontinued	199238V
04 Lithium battery, 2CR5 6 V	198330
05 Battery casing	199438V
06 Cap, 6567, 6568, 6567Z, 6568Z Chrome	199229V
07 Passing-through part	198534V
08 Flush pipe, 6567, 6567Z	199228V
08 Flush pipe, 6568, 6568Z	199441V