



6614CZ ORAS ELECTRA COVER PART FOR WASHBASIN FAUCET, 3 V, BLUETOOTH

TRIM KIT, TOUCHLESS, BATTERY-OPERATED, EXTERNAL TRANSFORMER, BLUETOOTH®

EAN: 6414150098994 static.oras.com/6614CZ



- Public & Semi-public
- Concealed wall mounting
- Chrome
- Standard aerator, PCA® - constant flow rate regardless of pressure variations
- Temperature control handle
- Mixing valve for manual temperature control, Non-return valve(s), Litter filter(s)
- Autofocus infrared sensor, Solenoid valve, External control unit, Light indicated function(s), Low battery indicator
- Software settings adjustable via App
- Round rosette
- Without transformer

TECHNICAL DATA

FLOW PROPERTIES

Flow-rate at 300 kPa (with flow controller) **0.08 l/s**

TECHNICAL PROPERTIES

Hot water supply **max. +70°C**
Working pressure **100 - 1000 kPa**
Projection **245 mm**
Backflow prevention (EN1717) **AA**
Material **Brass**

SOFTWARE SETTINGS

Afterflow period **3 s (1-20 s)**
Automatic flush **off (off/1-120 h)**
Automatic flush period **30 s (1-1800 s)**
Max. flow period **2 min (1 - 1800 s)**

ELECTRONIC PROPERTIES

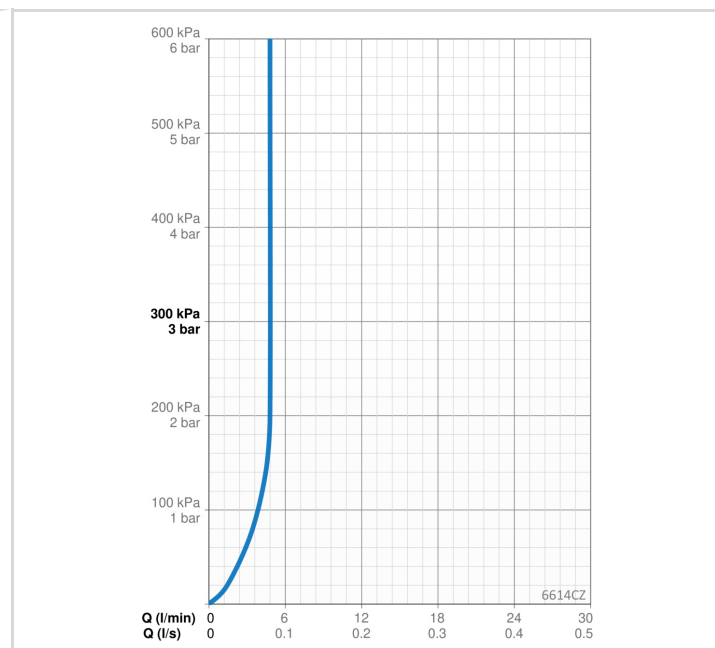
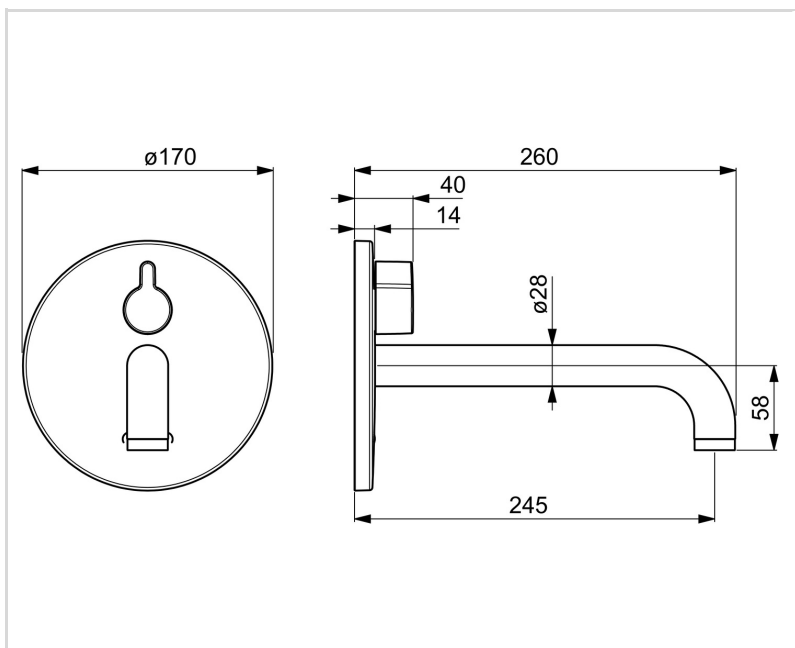
Electrical Connection **12 V**
Battery **AA 1.5 V Lithium x 2**
Bluetooth version **5.x (D060576)**

REGULATIONS

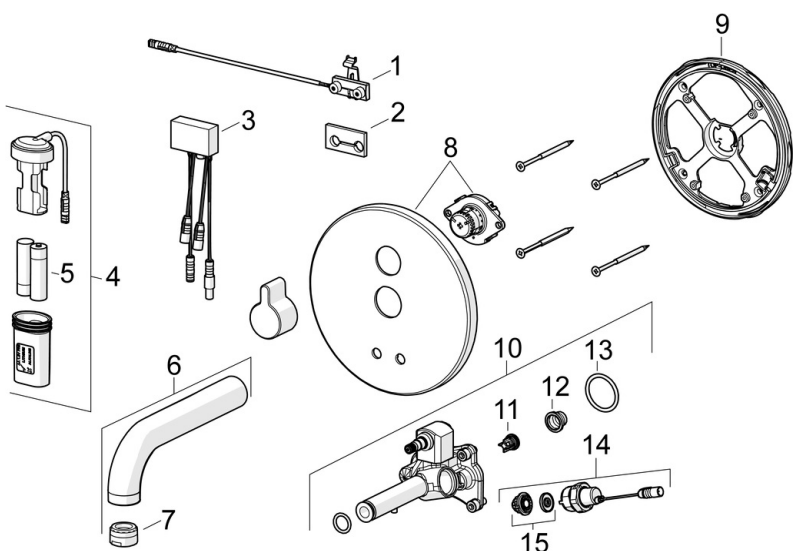
EU Directives **CE Radio Equipment Directive 2014/53/EU , Low Voltage Directive 2014/35/EU , EMC Directive 2014/30/EU , RoHS Directive 2011/65/EU**
EN standard **EN 15091, ETSI EN 301 489-1 V1.9.2 , ETSI EN 300 328 v2.2.2, EN 18031-1, EN 61000-6-1:2007 , EN 61000-6-3:2007+A1:2011+AC:2012 , EN 60335-1:2012+A11+A13+A14+A15:2021, Part 19.11.4**
Noise class **I (ISO 3822)**
Protection class **IP 55**

APPROVALS AND DECLARATIONS

UN38.3 **UN38-3 Energizer L91**
Declaration of conformity **RED**



SPARE PARTS



SP6614CZ

Name	Code
01 Sensor, 245 mm	1010227V
02 Gasket	1010472V
03 Control unit, 3/12 V Bluetooth	1009970V
04 Battery casing	600617V
05 Battery, (2x) 1.5 V AA Lithium	600599V
06 Spout, L=170 Chrome Discontinued	602363V
06 Spout, L=245 Chrome	602364V
06 Spout, L=310 Chrome Discontinued	602365V
07 Aerator, M24x1, -105	601166V
08 Cover plate Chrome Discontinued	602361V
09 Fixing part Discontinued	602595V
10 Functional unit	602612V
11 Non-return valve	601950V
12 Litter filters	199257/2
13 O-ring, 23.47x2.62 Discontinued	602649V
14 Solenoid valve complete, 3 V	601307V
15 Membrane Discontinued	601512V
15 Membrane for solenoid valve	1006500V