



# 6662F-106 ORAS ELECTRA ECO SHOWER PANEL, 6

**V** WILL BE DISCONTINUED 7/2026

TOUCHLESS, THERMOSTATIC, BATTERY-OPERATED

EAN: 6414150071362 [static.oras.com/6662F-106](http://static.oras.com/6662F-106)

Touchless thermostatic shower panel with hand shower and a temperature adjustment handle. Battery-operated 6 V. The shower is switched on by placing a hand in front of the sensor within the recognition range. Water will flow for as long as the person is standing under the shower. When the user exits the recognition range the water flow will stop automatically. The shower panel is equipped with litter filters, non-return valves and a flow limiter.

Flow-rate 6.0 l/min.

The following accessories are sold separately: soap holder (Oras No. 199880)

Fulfills the requirements for efficient use of water in ECO Building.

- ECO Building
- Wall mounted
- Aluminium/Chrome
- Temperature control handle
- Hand shower
- Non-return valve(s), Litter filter(s)
- Infrared sensor, Solenoid valve, Low battery indicator
- Software settings adjustable via magnetic key



## TECHNICAL DATA

### FLOW PROPERTIES

Flow-rate at 300 kPa (with flow controller) **0.1 l/s**

### TECHNICAL PROPERTIES

Hot water supply **max. +70°C**  
Working pressure **100 - 1000 kPa**  
Connection size **G3/4**  
Installation width **150 mm**  
Backflow prevention (EN1717) **EB**  
Material **Aluminium**

### SOFTWARE SETTINGS

Afterflow period **5 s (0-255 s)**  
Max. flow period **5 min (0 - 30 min)**  
Opening range **0-5 cm**

### ELECTRONIC PROPERTIES

Battery **Lithium 2CR5 6 V**

### REGULATIONS

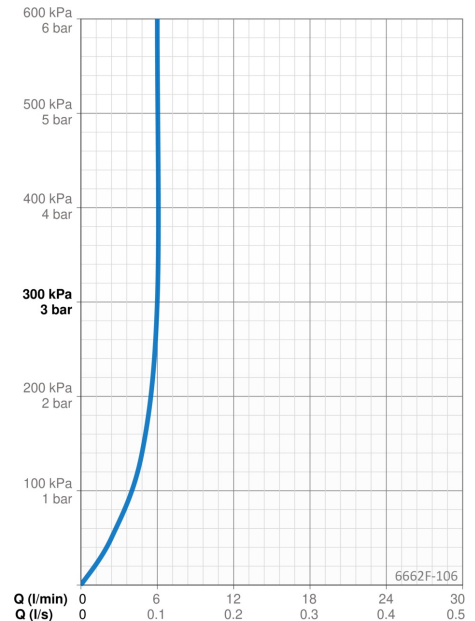
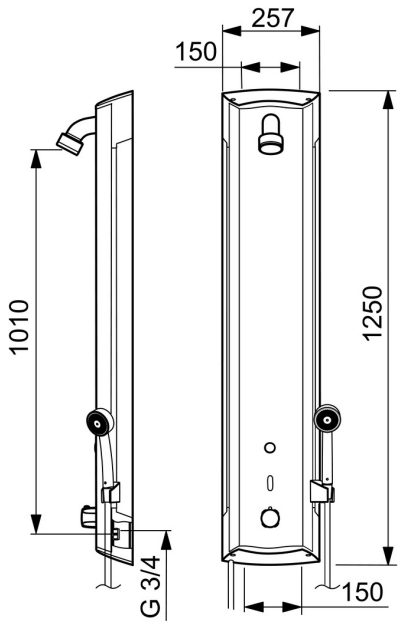
EU Directives **CE EMC Directive 2014/30/EU , RoHS Directive 2011/65/EU**  
EN standard **EN 15091, ETSI EN 301 489-1 V1.9.2 , ETSI EN 300 328 v2.2.2 , EN 61000-6-1:2007 , EN 61000-6-3:2007+A1:2011+AC:2012 , EN 60335-1:2012+A11+A13+A1+A14+A2+A15:2021, Part 19.11.4**  
Noise class **I (ISO 3822)**  
Protection class **IP 55**

### APPROVALS AND DECLARATIONS

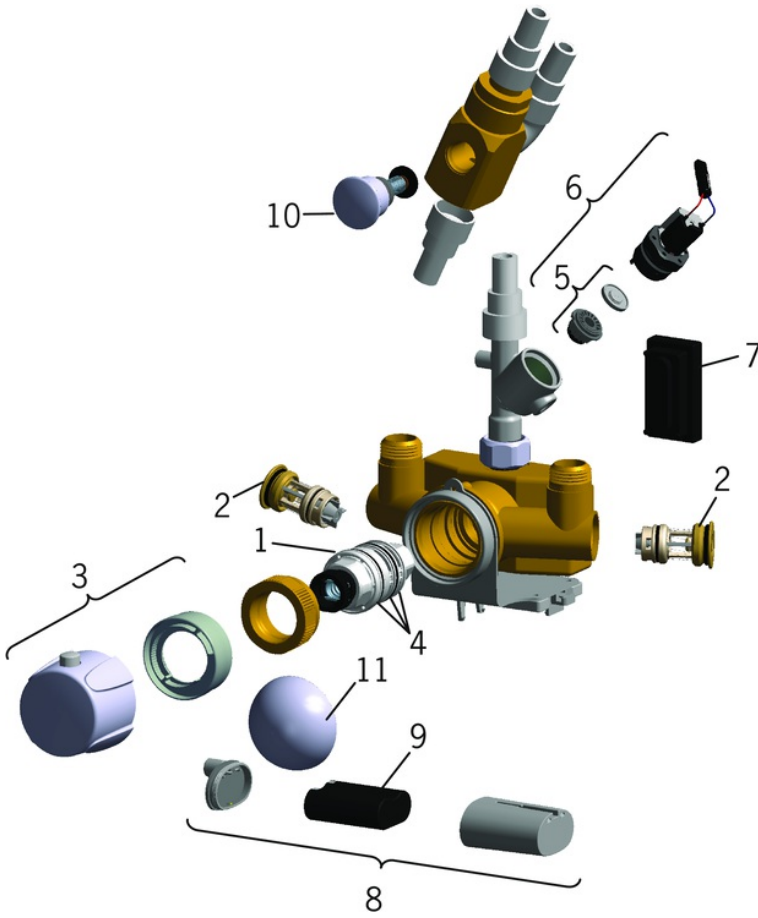
STF certificate **EUF129-22000144-TH7**  
UN38.3 **UN38-3 Maxell 2CR5**  
Declaration of conformity **EMC**  
EPD **EPD-IES-0017638**

**SUSTAINABILITY**

EPD module A1-A3 (kg CO2 eq.)	<b>52,60</b>
EPD module A4 (kg CO2 eq.)	<b>0,39</b>
EPD module B7 (kg CO2 eq.)	<b>521,76</b>
EPD module C2 (kg CO2 eq.)	<b>0,01</b>
EPD module C3 (kg CO2 eq.)	<b>0,06</b>
EPD module C4 (kg CO2 eq.)	<b>0,00</b>
EPD module D (kg CO2 eq.)	<b>-0,42</b>



SPARE PARTS



SP6662F

	Name	Code
01	Thermostatic cartridge	178780V
02	One-way valve with litter screen	178295
03	Temperature control handle Chrome	178794V
04	O-ring kit	178796V
05	Membrane support ring Discontinued	199205V
05	Membrane for solenoid valve	1006500V
06	Solenoid valve, 6 V	199206V
07	Sensor, 6 V	600202V
08	Battery casing, 2CR5 6 V	199417V
09	Lithium battery, 2CR5 6 V	198330
10	Diverter Chrome	209695
11	Protective cap Chrome	199276V