



## 6664FTX ORAS ELECTRA SHOWER PANEL, 12

**V** WILL BE DISCONTINUED 7/2026

TOUCHLESS, EXTERNAL TRANSFORMER, THERMOSTATIC

EAN: 6414150072949 [static.oras.com/6664FTX](http://static.oras.com/6664FTX)

Touchless thermostatic shower panel with a temperature adjustment handle. Electrical connection 12 V via a separate bus transformer (Oras No. 199501 or 199502). The shower is switched on by placing a hand in front of the sensor within the recognition range. Water will flow for as long as the person is standing under the shower. When the user exits the recognition range the water flow will stop automatically. The shower panel is equipped with litter filters, non-return valves and a flow limiter.

The following accessories are sold separately: soap holder (Oras No. 199880)

- Public & Semi-public
- Wall mounted
- Aluminium/Chrome
- Temperature control handle, Safety feature for water temperature
- Safety stop against scalding at 38°C
- Thermostatic cartridge for automatic temperature control, Litter filter(s), Non-return valve(s)
- Autofocus infrared sensor, Solenoid valve
- Software settings adjustable via magnetic key
- grease without Silicon



### TECHNICAL DATA

#### FLOW PROPERTIES

Flow-rate at 300 kPa	0.195 l/s
Flow-rate at 300 kPa (with flow controller)	0.18 l/s
Pressure loss with flow (0.2 l/s)	300 kPa

#### TECHNICAL PROPERTIES

Hot water supply	max. +70°C
Working pressure	100 - 1000 kPa
Connection size	G3/4
Installation width	150 mm
Backflow prevention (EN1717)	EB
Material	Aluminium

#### SOFTWARE SETTINGS

Afterflow period	5 s
Max. flow period	5 min
Opening range	0-5 cm

#### ELECTRONIC PROPERTIES

Electrical Connection	12 V
-----------------------	------

#### REGULATIONS

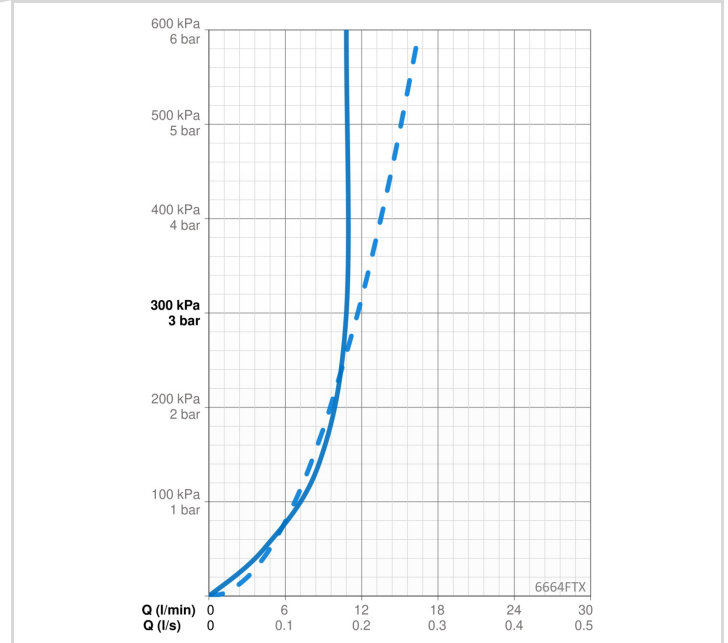
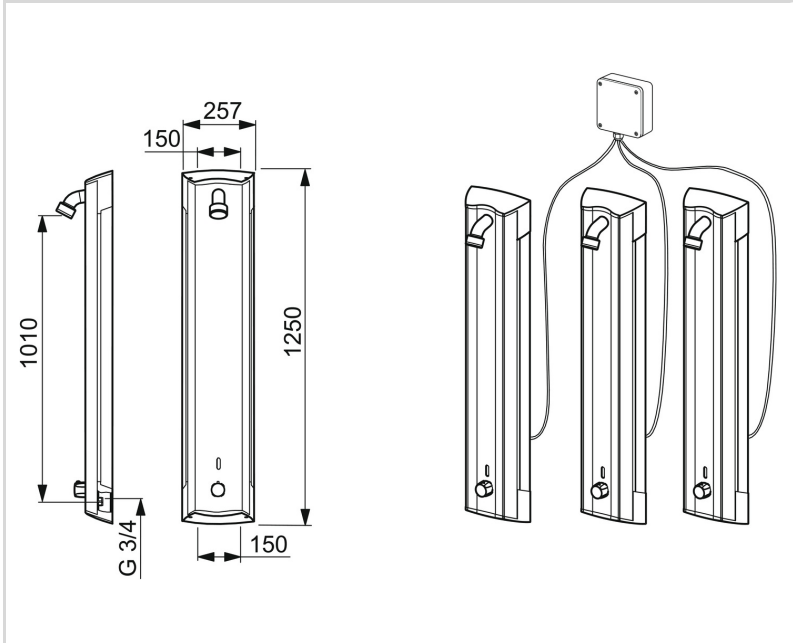
EU Directives	CE Low Voltage Directive 2014/35/EU , EMC Directive 2014/30/EU , RoHS Directive 2011/65/EU
EN standard	EN 1111 , EN 15091, ETSI EN 301 489-1 V1.9.2 , ETSI EN 300 328 v2.2.2 , EN 61000-6-1:2007 , EN 61000-6-3:2007+A1:2011+AC:2012 , EN 60335-1:2012+A11+A13+A14+A2+A15:2021, Part 19.11.4
Noise class	I (ISO 3822)
Protection class	IP 55

#### APPROVALS AND DECLARATIONS

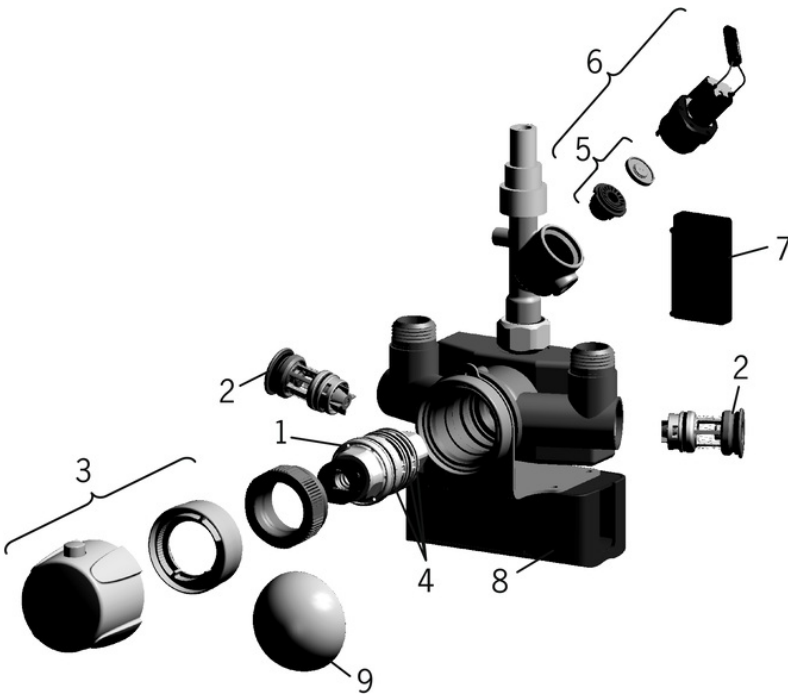
STF certificate	EUFI29-22000144-TH7
Declaration of conformity	LVD
EPD	EPD-IES-0017638

## SUSTAINABILITY

EPD module A1-A3 (kg CO2 eq.)	47,84
EPD module A4 (kg CO2 eq.)	0,36
EPD module B7 (kg CO2 eq.)	939,17
EPD module C2 (kg CO2 eq.)	0,01
EPD module C3 (kg CO2 eq.)	0,05
EPD module C4 (kg CO2 eq.)	0,00
EPD module D (kg CO2 eq.)	-0,38



## SPARE PARTS



### SP6664FTX

Name	Code
01 Thermostatic cartridge	178780V
02 One-way valve with litter screen	178295
03 Temperature control handle Chrome	178794V
04 O-ring kit	178796V
05 Membrane support ring Discontinued	199205V
05 Membrane for solenoid valve	1006500V
06 Solenoid valve, 6 V	199206V
07 Sensor, 12 V / UPS	600209V
08 Power source box, 12 V	601545V
09 Protective cap Chrome	199276V