



7128 ORAS BODY FOR BATH AND SHOWER

FAUCET

DISCONTINUED

CONCEALED UNIT

EAN: 6414150050534 static.oras.com/7128

Concealed thermostatic bath and shower faucet body for Oras No. 2888, 7188, 8578 and 8688. Non-return valves and litter filters are included.



- Concealed wall mounting
- Turn operated diverter, Integrated into flow control handle
- Non-return valve(s), Litter filter(s), Thermostatic cartridge for automatic temperature control

TECHNICAL DATA

FLOW PROPERTIES

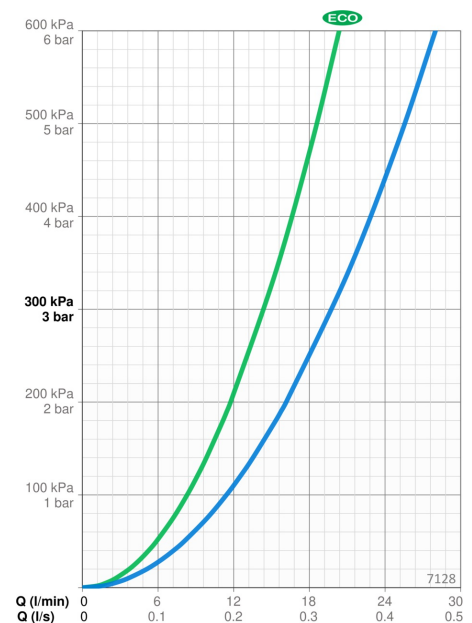
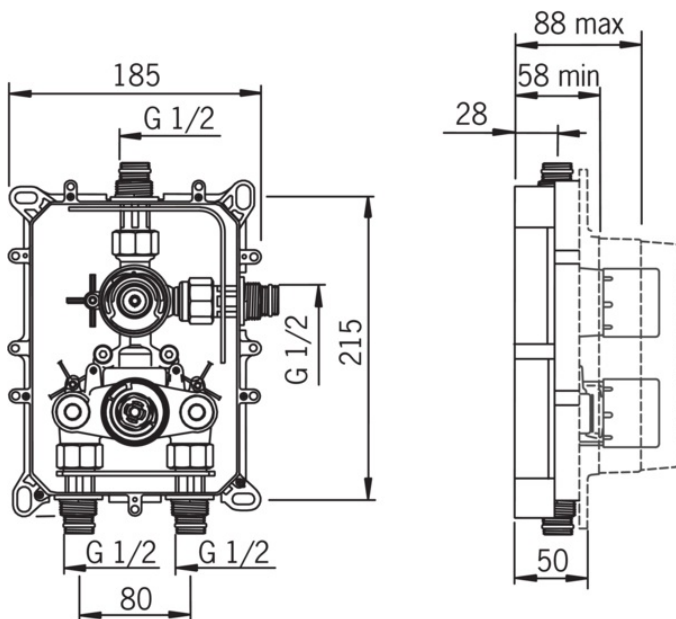
Eco-flow at 300 kPa	0.24 l/s
Flow-rate at 300 kPa	0.33 l/s
Pressure loss with flow (0.3 l/s)	250 kPa

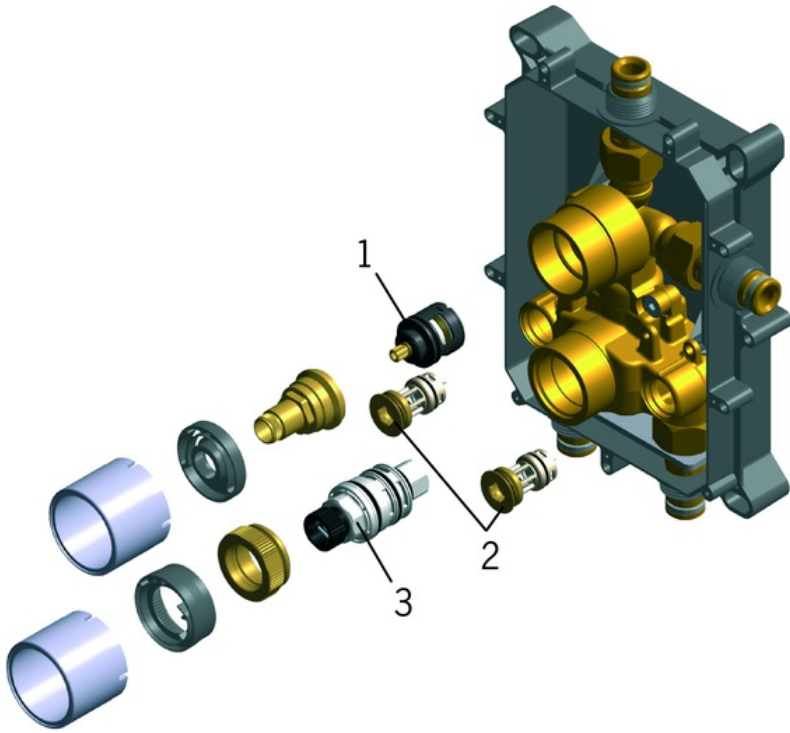
TECHNICAL PROPERTIES

Hot water supply	max. +80°C
Working pressure	100 - 1000 kPa
Connection size	G1/2
Backflow prevention (EN1717)	EB
Material	Brass

REGULATIONS

Noise class	II (ISO 3822)
-------------	---------------





SP7128

	Name	Code
01	Diverter	198282V
02	One-way valve with litter screen	178295
03	Thermostatic cartridge	178780V