



7150N-33 ORAS OPTIMA STYLE SHOWER FAUCET, 160CC

THERMOSTATIC

EAN: 6414150099663 static.oras.com/7150N-33



Designed to impress and give an elegant solution for any bathroom.

This thermostat gives you a most comfortable and enjoyable shower experience every day. With focus on high performance while still have an eye on the aesthetics and details to secure an elegant installation.

The handles are designed to be elegant while still providing a good grip for easy.

Our new developed magnetic shelf "MagShelf" completes the design while covering the 160CC connection to the wall.

Elegant design and total enjoyment

- Wall mounted
- Matt black
- Standard aerator
- Temperature control handle, Flow control handle, Hot/Cold symbols, Easy-Grip surface, Eco feature for water flow
- MagShelf. Removable shelf with magnetic attachment
- Safety stop against scalding at 38°C, The housing of the fittings conducts minimal heat
- Ceramic head part for flow control, Thermostatic cartridge for automatic temperature control, Non-return valve(s), Litter filter(s)
- Direct connection, Internal thread
- Inner body made of DZR brass
- Without couplings

TECHNICAL DATA

FLOW PROPERTIES

Eco-flow at 300 kPa	0.12 l/s
Flow-rate at 300 kPa	0.22 l/s
Pressure loss with flow (0.2 l/s)	250 kPa

TECHNICAL PROPERTIES

Hot water supply	max. +80°C
Working pressure	100 - 1000 kPa
Connection size	M26x1.5
Installation width	160 mm
Backflow prevention (EN1717)	EB
Material	Brass/Composite

REGULATIONS

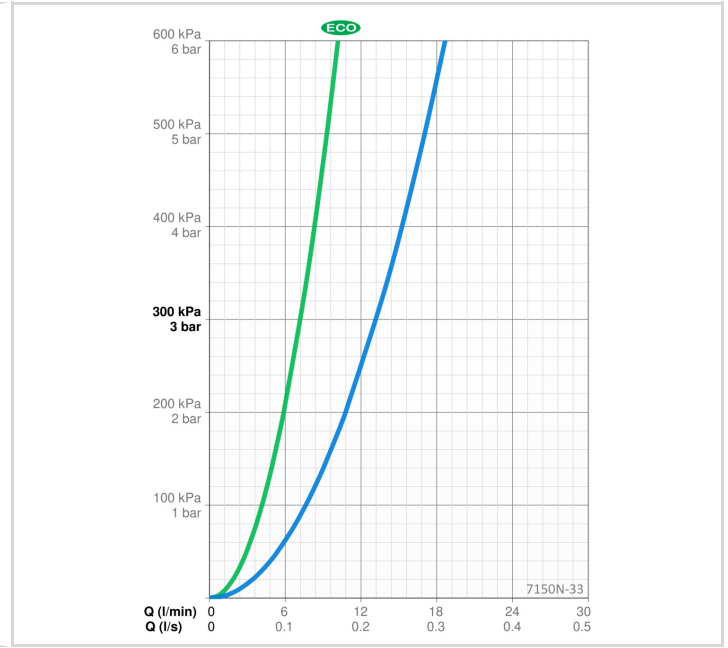
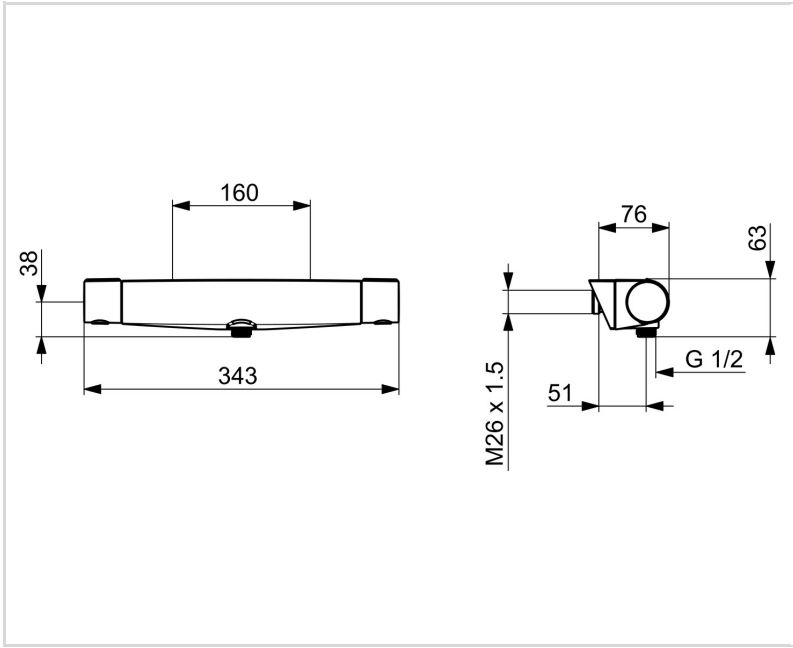
EN standard	EN1111
Noise class	I (ISO 3822)

APPROVALS AND DECLARATIONS

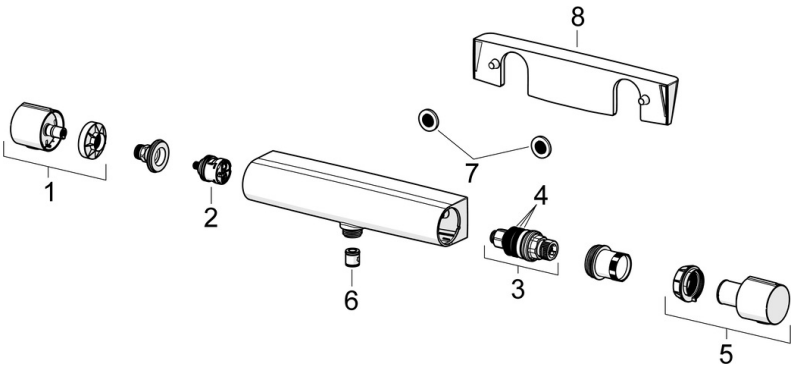
Declaration of conformity	DoC
EPD	S-P-06397

SUSTAINABILITY

EPD module A1-A3 (kg CO2 eq.)	10,39
EPD module A4 (kg CO2 eq.)	0,37
EPD module B7 (kg CO2 eq.)	1266,00
EPD module C2 (kg CO2 eq.)	0,02
EPD module C3 (kg CO2 eq.)	0,02
EPD module C4 (kg CO2 eq.)	0,74
EPD module D (kg CO2 eq.)	-6,60



SPARE PARTS



SP7160N-33

Name	Code
01 Flow control handle Matt black	1006775V-33
02 Diverter	198282V
03 Thermostatic cartridge	178780V
04 O-ring kit	178796V
05 Temperature control handle Matt black	1006752V-33
06 Non-return valve, DN15	105311
07 Filter sealing, G3/4, DN20	178375V
08 Shelf Matt black	1012484V-33