

7153 ORAS OPTIMA SHOWER SYSTEM,

40CC DISCONTINUED

THERMOSTATIC

EAN: 6414150072864 static.oras.com/7153



- Wall mounted
- Chrome
- Fixed spout
- Temperature control handle, Flow control handle
- Hand shower, Shower rail, Overhead shower, Adjustable shower rail bracket, Soap dish, Shower hose (2000 mm), Rotatable ball joint connection
- Thermostatic cartridge for automatic temperature control, Litter filter(s), Non-return valve(s)
- 3 spray functions

TECHNICAL DATA

FLOW PROPERTIES

Eco-flow at 300 kPa	0.13 l/s
Flow-rate at 300 kPa	0.32 l/s
Pressure loss with flow (0.2 l/s)	120 kPa

TECHNICAL PROPERTIES

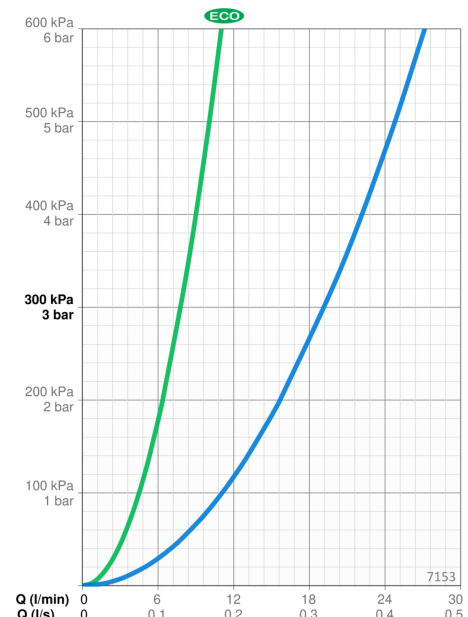
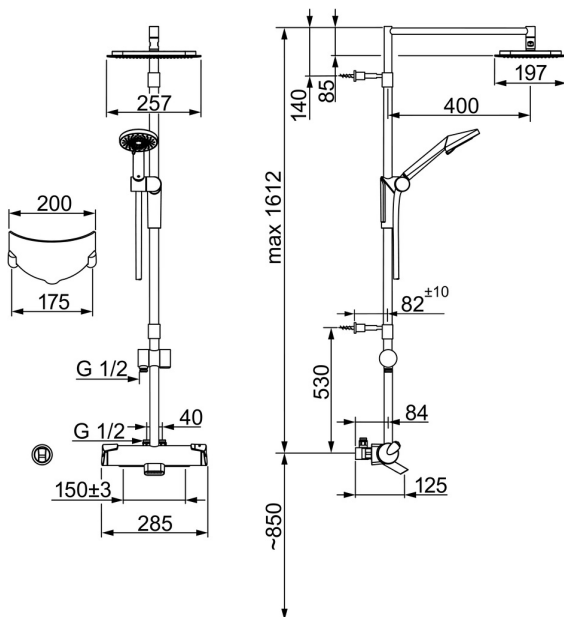
Hot water supply	max. +80°C
Working pressure	100 - 1000 kPa
Connection size	G1/2
Installation width	40 mm
Backflow prevention (EN1717)	EB
Material	Brass/Composite

REGULATIONS

EN standard	EN 1111, EN 1112, EN 1113
Noise class	II/I (ISO 3288) Oras lab.

APPROVALS AND DECLARATIONS

Declaration of conformity	DoC
---------------------------	-----



SPARE PARTS



SP7193

	Name	Code
01	Flow control handle	601267V
02	Diverter and cartridge	601278V
03	Filter sealing, G3/4, DN20	178375V
03	Litter filters, G1/2, DN15	198094/2
04	O-ring kit	178796V
05	Temperature control handle	601273V
06	Thermostatic cartridge	178780V
07	Nozzle	601637V
08	Diverter	600358V
N.I.	Shower pipe holder Chrome	600860V