



Designed to impress and give an elegant solution for any bathroom.

This rainshower system gives you a most comfortable and enjoyable shower experience every day. With focus on high performance while still have an eye on the aesthetics and details to secure an easy installation.

The handles are designed to be elegant while still providing a good grip for easy.

Our new developed magnetic shelf "MagShelf" completes the design while covering the connection to the wall.

The large and flat head shower has a gentle spray that covers the whole body. Enjoy the even and strong water stream for the ultimate relaxation.

Our 3-spray handshower is easy to operate with a nice designed push button to easily change the water sprays.

Elegant design and total enjoyment

Accessory extension pipe: 290015

- Wall mounted
- Chrome
- Detachable spout
- Temperature control handle, Flow control handle, Hot/Cold symbols, Easy-Grip surface, Eco feature for water flow
- Turn operated diverter, Integrated into flow control handle
- Rotatable ball joint connection, Hand shower, Lockable in the middle position, MagShelf. Removable shelf with magnetic attachment, Adjustable shower rail bracket, Swivel overhead shower, Shower hose (1750 mm), Shower rail, Anti limescale technology (easy to clean), Twist guard for shower hose, Variable fixing points
- Normal - Even and soft water stream, Massage - Strong water stream due to rotatable spray nozzles, Rain - Even and strong water stream
- Safety stop against scalding at 38°C, The housing of the fittings conducts minimal heat
- Ceramic head part for flow control, Thermostatic cartridge for automatic temperature control, Non-return valve(s), Litter filter(s)
- Direct connection, Internal thread, Cover plate(s)
- Flexible length / can be shortened, Anti-twist hose connector
- Without couplings
- 3 spray functions

TECHNICAL DATA

FLOW PROPERTIES

Eco-flow at 300 kPa	0.12 l/s
Flow-rate at 300 kPa	0.22/0.22 l/s
Pressure loss with flow (0.2 l/s)	250 kPa

TECHNICAL PROPERTIES

Hot water supply	max. +65°C
Working pressure	100 - 1000 kPa
Connection size	G3/4
Installation width	150 ± 3 mm
Projection	131 mm
Backflow prevention (EN1717)	EB
Material	Brass/Composite

REGULATIONS

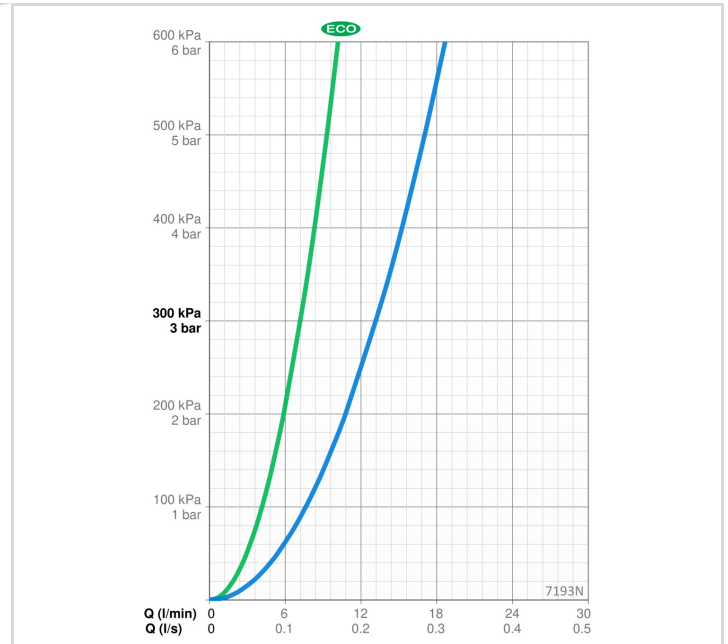
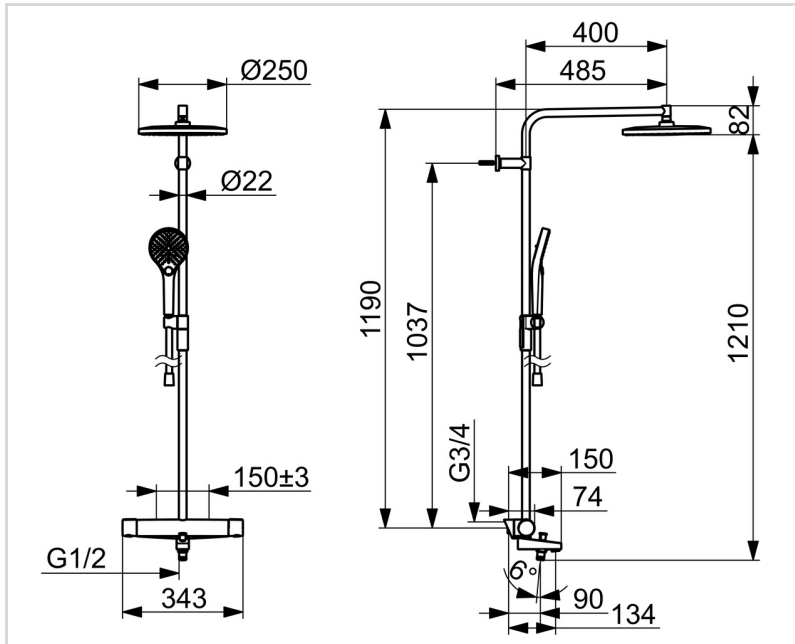
EN standard	EN1111
Noise class 0.2 l/s	I (ISO 3822)

APPROVALS AND DECLARATIONS

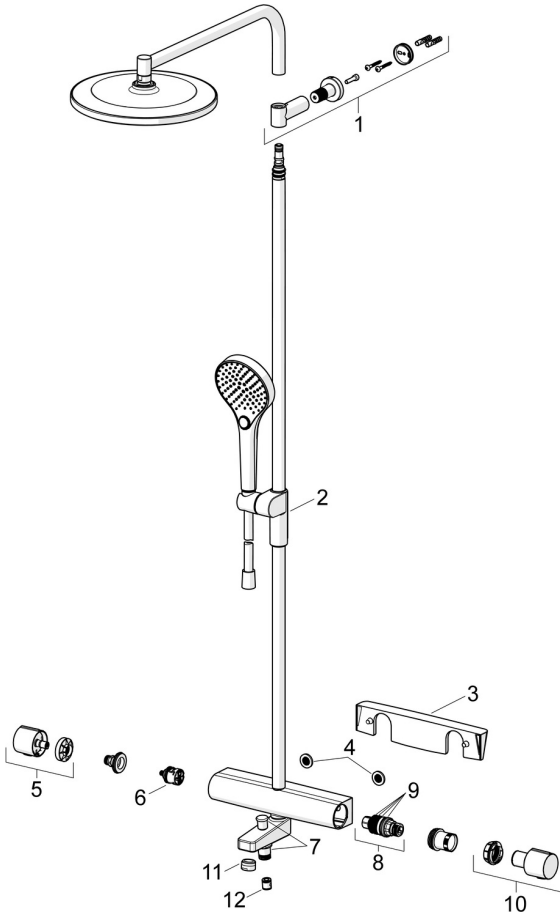
Declaration of conformity	DoC
EPD	S-P-07819

SUSTAINABILITY

EPD module A1-A3 (kg CO2 eq.)	29,27
EPD module A4 (kg CO2 eq.)	0,77
EPD module B7 (kg CO2 eq.)	1389,60
EPD module C2 (kg CO2 eq.)	0,06
EPD module C3 (kg CO2 eq.)	0,06
EPD module C4 (kg CO2 eq.)	1,60
EPD module D (kg CO2 eq.)	-19,13



SPARE PARTS



SP7193N

	Name	Code
01	Wall bracket Chrome	1013325V
02	Slide for shower rail Chrome	1012974V
03	Shelf Chrome	1012484V
04	Filter sealing, G3/4, DN20	178375V
05	Flow control handle Chrome	1006775V
06	Diverter	198282V
07	Diverter Chrome	602103V
08	Thermostatic cartridge	178780V
09	O-ring kit	178796V
10	Temperature control handle Chrome	1006752V
11	Aerator, M24x1 STD HC B Chrome	232210
12	Non-return valve, DN15	105311