



- Wall mounted
- Chrome
- Temperature control handle, Flow control handle, Eco feature for water flow, Safety feature for water temperature
- Integrated into flow control handle
- Hand shower, Shower rail, Overhead shower, Adjustable shower rail bracket, Shower hose (1750 mm), Eco flow control, Variable fixing points, Rotatable ball joint connection, Anti limescale technology (easy to clean)
- Normal - Even and soft water stream, Refreshing - Strong water stream, activates and refreshes body, Relaxing - Soft water stream, pleasant for entire body
- Safety stop against scalding at 38°C, The housing of the fittings conducts minimal heat
- Ceramic head part for flow control, Thermostatic cartridge for automatic temperature control, Non-return valve(s), Litter filter(s)
- Direct connection
- Flexible length / can be shortened
- Without couplings
- 3 spray functions

TECHNICAL DATA

FLOW PROPERTIES

Flow-rate at 300 kPa	0.25 / 0.26 l/s
Pressure loss with flow (0.2 l/s)	180 kPa

TECHNICAL PROPERTIES

Hot water supply	max. +65°C
Working pressure	100 - 1000 kPa
Connection size	M26x1.5
Installation width	160 mm
Projection	434 - 459 mm
Backflow prevention (EN1717)	EB
Material	Brass

REGULATIONS

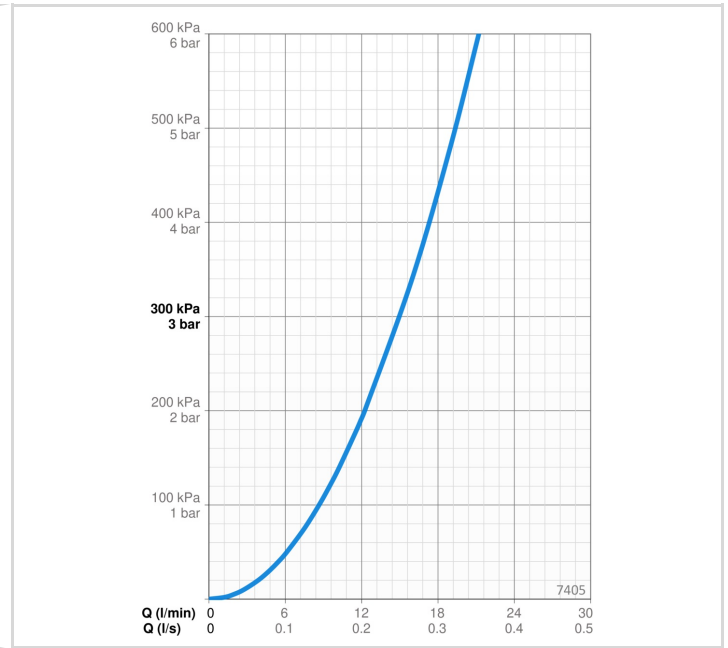
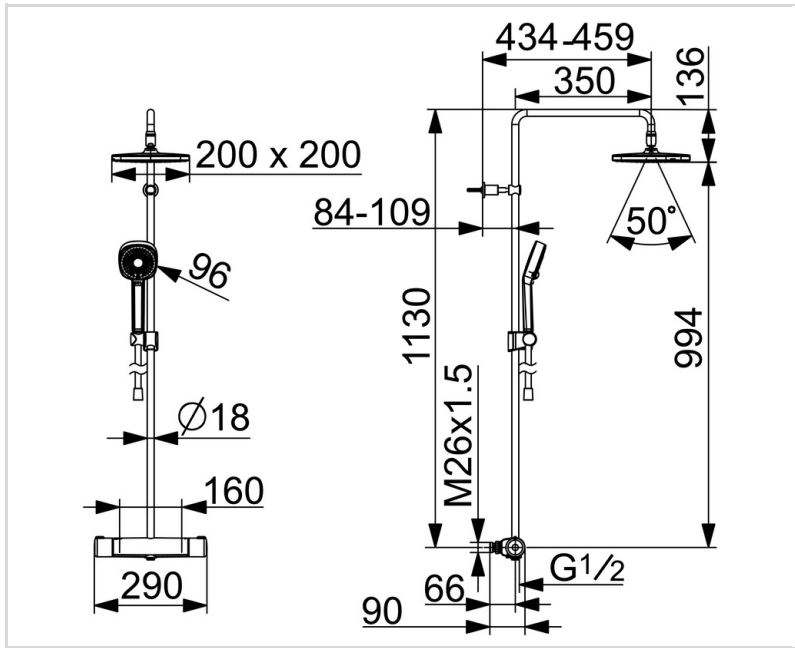
EN standard	EN 1111, EN 1112, EN 1113
Noise class	I (ISO 3822)

APPROVALS AND DECLARATIONS

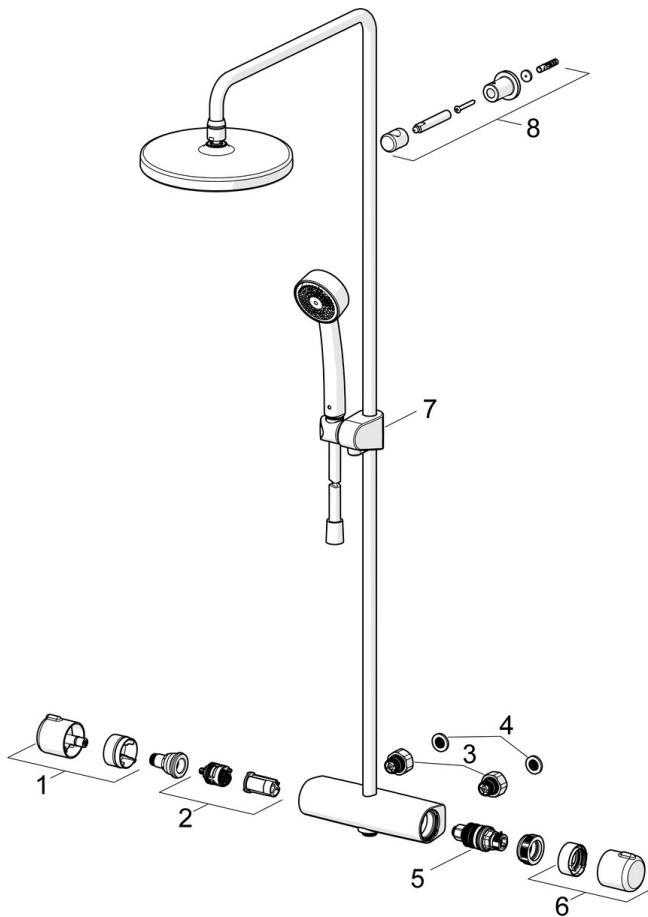
Declaration of conformity	DoC
EPD	S-P-07819

SUSTAINABILITY

EPD module A1-A3 (kg CO2 eq.)	23,14
EPD module A4 (kg CO2 eq.)	0,61
EPD module B7 (kg CO2 eq.)	2895,00
EPD module C2 (kg CO2 eq.)	0,04
EPD module C3 (kg CO2 eq.)	0,04
EPD module C4 (kg CO2 eq.)	1,27
EPD module D (kg CO2 eq.)	-15,12



SPARE PARTS



SP7401

Name	Code
01 Flow control handle Chrome	602452V
02 Diverter and cartridge	601278V
03 Combiner	602438/2
04 Filter sealing, G3/4, DN20	178375V
05 Thermostatic cartridge	178780V
06 Temperature control handle Chrome	602431V
07 Slide for shower rail Chrome	601189V
08 Shower pipe holder Chrome	1001314V