



- Wall mounted
- Matt black
- Temperature control handle, Flow control handle, Eco feature for water flow, Safety feature for water temperature
- Integrated into flow control handle
- Hand shower, Shower rail, Overhead shower, Adjustable shower rail bracket, Shower hose (1750 mm), Variable fixing points, Rotatable ball joint connection, Anti limescale technology (easy to clean)
- Intense - invigorating water stream
- Safety stop against scalding at 38°C, The housing of the fittings conducts minimal heat
- Ceramic head part for flow control, Thermostatic cartridge for automatic temperature control, Non-return valve(s), Litter filter(s)
- Direct connection
- Flexible length / can be shortened
- Without couplings
- 1 spray function

TECHNICAL DATA

FLOW PROPERTIES

Flow-rate at 300 kPa	0.25 / 0.26 l/s
Pressure loss with flow (0.2 l/s)	180 kPa

TECHNICAL PROPERTIES

DN-size (nominal dimension)	DN15
Hot water supply	max. +65°C
Working pressure	100 - 1000 kPa
Connection size	M26x1.5
Installation width	160 mm
Projection	434 - 459 mm
Backflow prevention (EN1717)	EB
Material	Brass

REGULATIONS

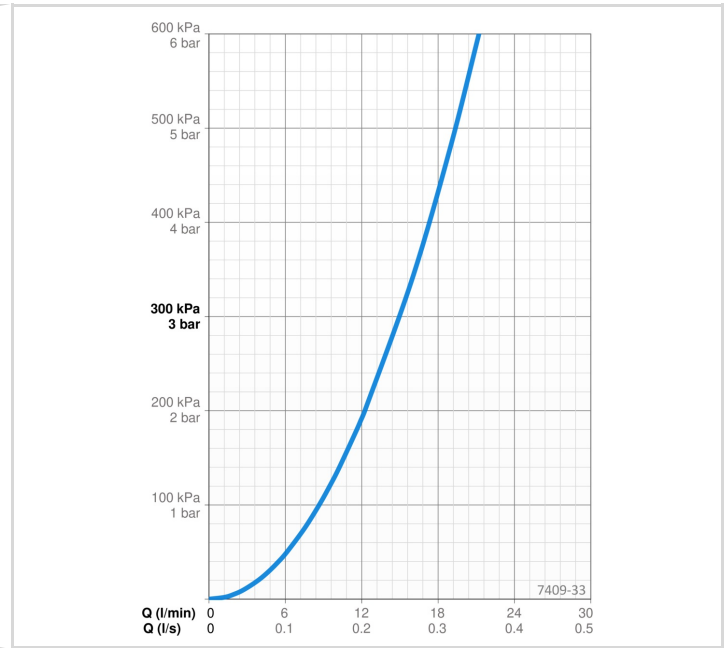
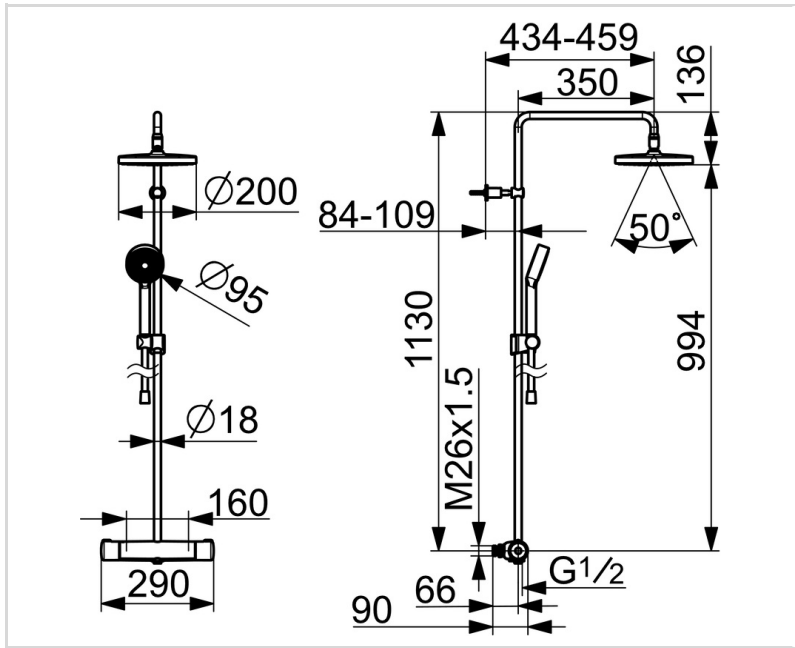
EN standard	EN 1111, EN 1112, EN 1113
Noise class	I (ISO 3822)

APPROVALS AND DECLARATIONS

Declaration of conformity	DoC
EPD	S-P-07819

SUSTAINABILITY

EPD module A1-A3 (kg CO2 eq.)	18,80
EPD module A4 (kg CO2 eq.)	0,49
EPD module B7 (kg CO2 eq.)	2895,00
EPD module C2 (kg CO2 eq.)	0,04
EPD module C3 (kg CO2 eq.)	0,04
EPD module C4 (kg CO2 eq.)	1,03
EPD module D (kg CO2 eq.)	-12,29



SPARE PARTS

SP7402-33

	Name	Code
01	Flow control handle Matt black	1008616V-33
02	Diverter and cartridge	601278V
03	Filter sealing, G3/4, DN20	178375V
03	Litter filters, G1/2, DN15	198094/2
04	O-ring kit	178796V
05	Thermostatic cartridge	178780V
06	Temperature control handle Matt black	1008607V-33
07	Slide for shower rail Matt black	1002442V-33
08	Shower pipe holder Matt black	1001314V-33

