

7413U ORAS NOVA SHOWER FAUCET WITH SHOWER SET

THERMOSTATIC

EAN: **6414150083198** static.oras.com/7413U

Thermostatic shower faucet with shower set Oras Apollo 544. Eccentric unions and cover plates included. Temperature handle equipped with safety stop at 38°C. Volume handle with EcoFlow control. The faucet includes litter filters and non-return valves. Oras Apollo shower set including hand shower with three spray options including EcoFlow control, adjustable max. 720 mm shower rail, a soap tray and 1750 mm shower hose



- Wall mounted
- Chrome
- Temperature control handle, Flow control handle
- Hand shower, Shower rail, Adjustable shower rail bracket, Soap dish, Shower hose (1750 mm), Eco flow control
- Normal - Even and soft water stream, Refreshing - Strong water stream, activates and refreshes body, Relaxing - Soft water stream, pleasant for entire body
- Safety stop against scalding at 38°C
- Thermostatic cartridge for automatic temperature control, Ceramic head part for flow control
- Eccentric coupling(s), Cover plate(s), Silencer(s)
- 3 spray functions

TECHNICAL DATA

FLOW PROPERTIES

Eco-flow at 300 kPa	0.16 l/s
Flow-rate at 300 kPa	0.24 l/s
Pressure loss with flow (0.2 l/s)	210 kPa

TECHNICAL PROPERTIES

Hot water supply	max. +80°C
Working pressure	100 - 1000 kPa
Installation width	150 ± 15 mm
Material	Brass

REGULATIONS

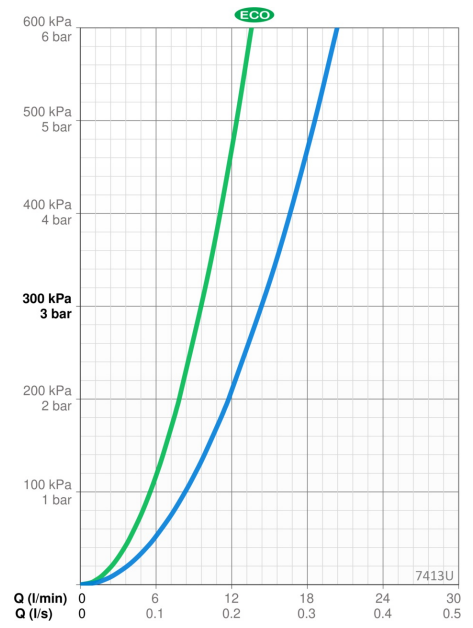
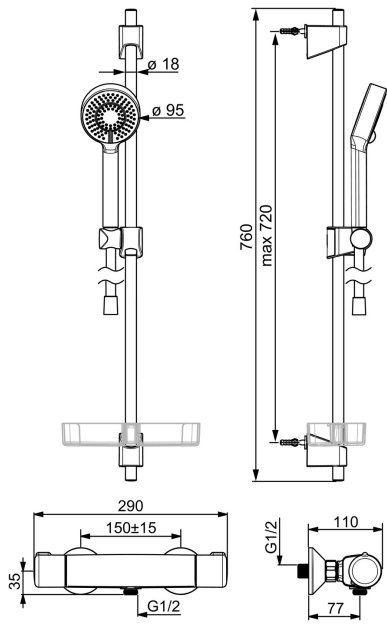
EN standard	EN 1111, EN 1112, EN 1113
Noise class	I (ISO 3822) Oras lab.

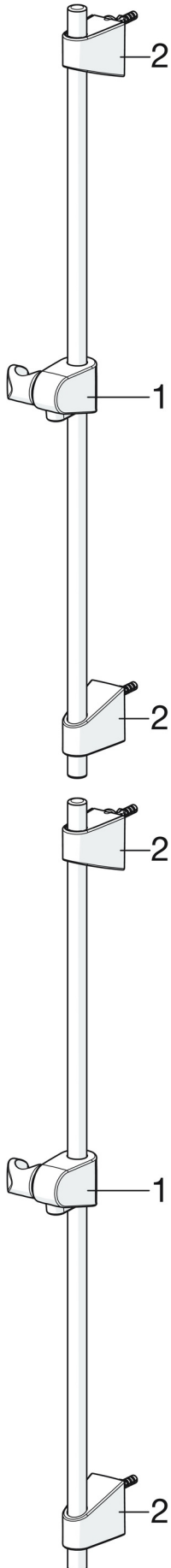
APPROVALS AND DECLARATIONS

Declaration of conformity	DoC
EPD	S-P-07819

SUSTAINABILITY

EPD module A1-A3 (kg CO2 eq.)	15,71
EPD module A4 (kg CO2 eq.)	0,41
EPD module B7 (kg CO2 eq.)	1852,80
EPD module C2 (kg CO2 eq.)	0,03
EPD module C3 (kg CO2 eq.)	0,03
EPD module C4 (kg CO2 eq.)	0,86
EPD module D (kg CO2 eq.)	-10,27





SP540

	Name	Code
01	Slide for shower rail Chrome	601189V
02	Wall support Chrome	602331V

SP7460

	Name	Code
01	Flow control handle Chrome	602430V
02	Headpart Chrome	109898
03	Litter filters, G1/2, DN15	198094/2
03	Filter sealing, G3/4, DN20	178375V
04	Temperature control handle Chrome	602431V
05	O-ring kit	178796V
06	Thermostatic cartridge	178780V