



Mechanical shower panel with head shower. The shower panel is equipped with litter filters, non-return valves and a flow limiter. The following accessories are sold separately: soap holder (Oras No. 199880)

- Public & Semi-public, Health & Care
- Wall mounted
- Aluminium/Chrome
- Temperature control handle, Flow control handle
- Soap dish
- Non-return valve(s), Litter filter(s), Thermostatic cartridge for automatic temperature control, Ceramic head part for flow control

TECHNICAL DATA

FLOW PROPERTIES

Flow-rate at 300 kPa	0.25 l/s
Flow-rate at 300 kPa (with flow controller)	0.15 l/s

TECHNICAL PROPERTIES

Hot water supply	max. +80°C
Working pressure	100 - 1000 kPa
Backflow prevention (EN1717)	EB
Material	Aluminium

REGULATIONS

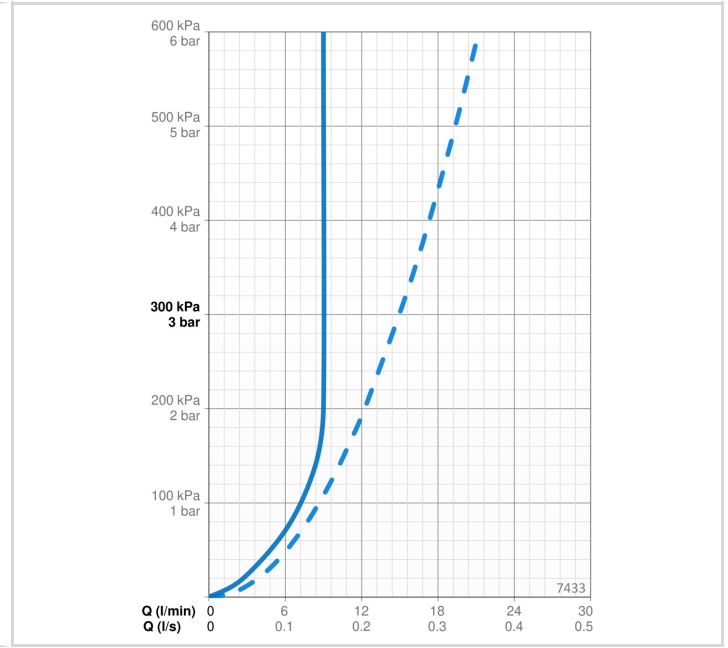
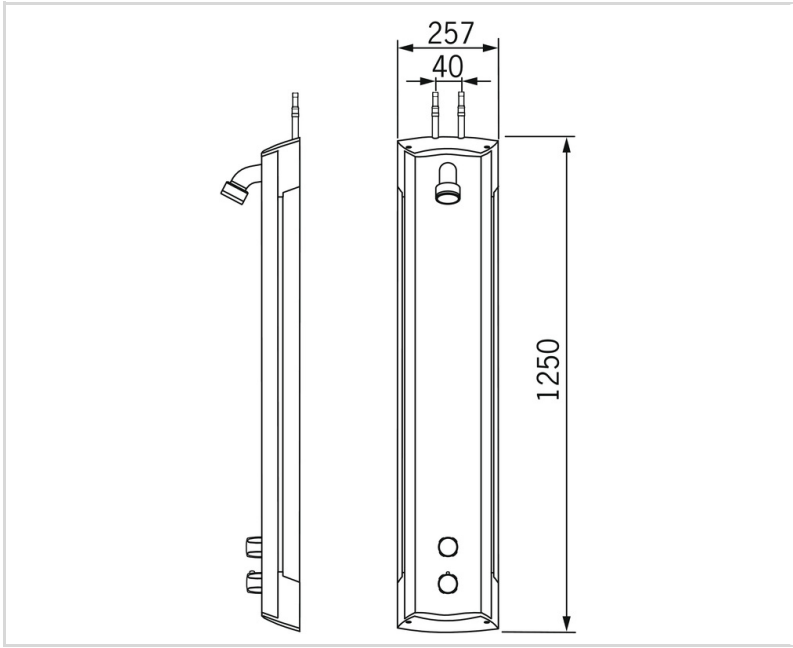
EN standard	EN 1111
Noise class	I (ISO 3822) Oras lab.

APPROVALS AND DECLARATIONS

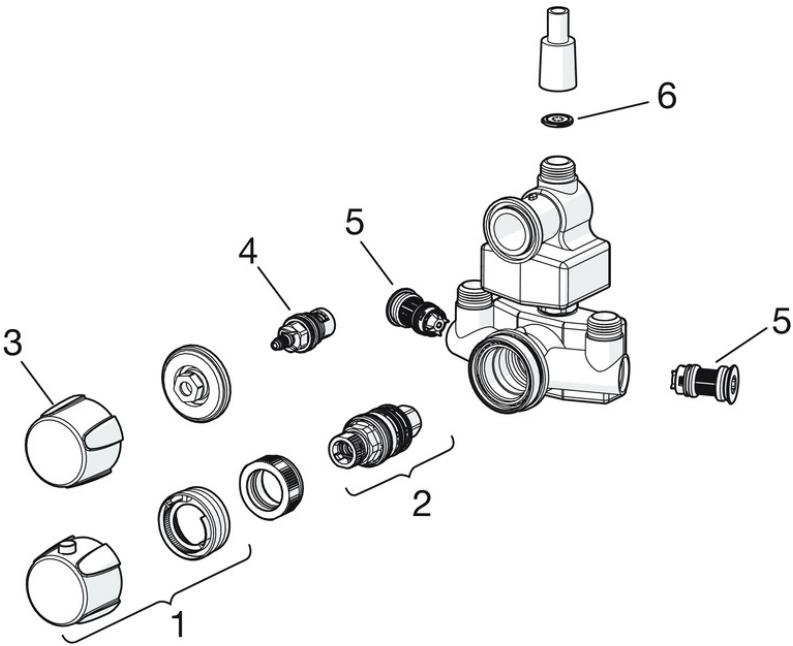
Declaration of conformity	DoC
EPD	EPD-IES-0017638

SUSTAINABILITY

EPD module A1-A3 (kg CO2 eq.)	49,55
EPD module A4 (kg CO2 eq.)	0,37
EPD module B7 (kg CO2 eq.)	782,64
EPD module C2 (kg CO2 eq.)	0,01
EPD module C3 (kg CO2 eq.)	0,06
EPD module C4 (kg CO2 eq.)	0,00
EPD module D (kg CO2 eq.)	-0,40



SPARE PARTS



SP7433

Name	Code
01 Temperature control handle Chrome	178794V
02 Thermostatic cartridge	178780V
03 Flow control handle Chrome	178783V
04 Headpart Chrome	109898
05 One-way valve with litter screen	178295
06 Flow limiter, G1/2, 9L/min	602138V