



Thermostatic shower faucet with swivel spout with diverter and aerator. Eccentric unions and cover plates included. Temperature handle equipped with safety stop at 38°C. Volume handle with EcoFlow control. The faucet includes litter filters and non-return valves.

- Wall mounted
- Chrome
- Swivel spout
- Standard aerator
- Temperature control handle, Flow control handle, Eco feature for water flow, Safety feature for water temperature
- Pull operated diverter
- Eco flow control
- Safety stop against scalding at 38°C
- Litter filter(s), Non-return valve(s), Thermostatic cartridge for automatic temperature control, Ceramic head part for flow control
- Eccentric coupling(s), Cover plate(s), with integrated shut-off valve(s)

TECHNICAL DATA

FLOW PROPERTIES

Eco-flow at 300 kPa	0.16 l/s
Flow-rate at 300 kPa	0.23 l/s
Pressure loss with flow (0.2 l/s)	230 kPa

TECHNICAL PROPERTIES

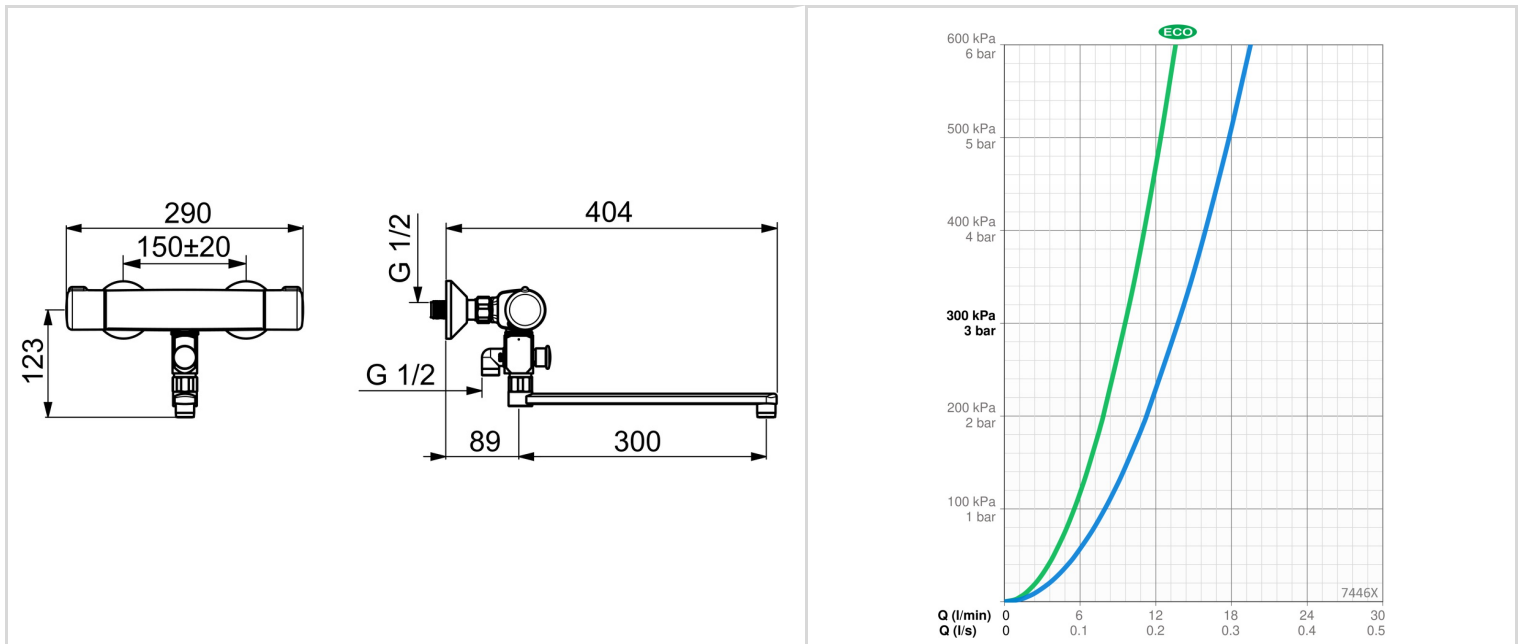
Hot water supply	max. +80°C
Working pressure	100 - 1000 kPa
Connection size	G1/2
Installation width	150 mm
Projection	389 mm
Backflow prevention (EN1717)	EB
Material	Brass

REGULATIONS

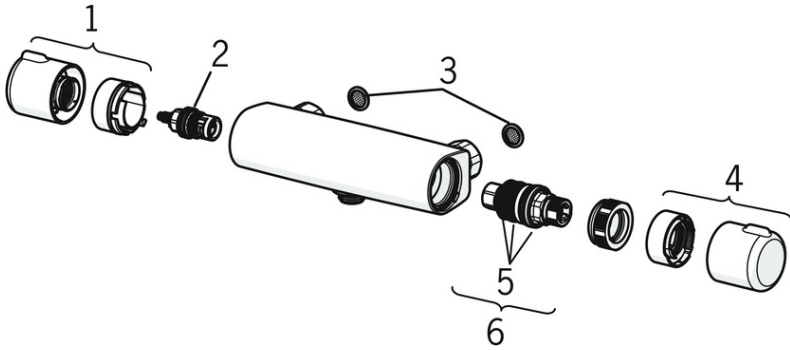
EN standard	EN 1111
Noise class	I (ISO 3822) Oras lab.

APPROVALS AND DECLARATIONS

Declaration of conformity	DoC
---------------------------	-----



SPARE PARTS



SP7460

	Name	Code
01	Flow control handle Chrome	602430V
02	Headpart Chrome	109898
03	Litter filters, G1/2, DN15	198094/2
03	Filter sealing, G3/4, DN20	178375V
04	Temperature control handle Chrome	602431V
05	O-ring kit	178796V
06	Thermostatic cartridge	178780V