

7449 ORAS NOVA ECO SHOWER FAUCET WITH SHOWER SET

DISCONTINUED

THERMOSTATIC

EAN: 6414150079085 static.oras.com/7449

Thermostatic shower faucet with spout. Temperature handle equipped with safety stop at 38°C. Volume handle with diverter and EcoFlow control. The faucet includes litter filters and non-return valves. Oras Sensiva shower set including 1500 mm shower hose, shower rail, shower holder, soap tray, wall bracket and hand shower with normal and massaging shower jet.



- Wall mounted
- Chrome
- Temperature control handle, Flow control handle
- Turn operated diverter, Integrated into flow control handle
- Hand shower, Shower rail, Adjustable shower rail bracket, Soap dish, Shower holder, Shower hose (1500 mm), Eco flow control
- Thermostatic cartridge for automatic temperature control, Non-return valve(s), Litter filter(s)
- Direct connection, Internal thread

TECHNICAL DATA

FLOW PROPERTIES

Eco-flow at 300 kPa	0.17 l/s
Flow-rate at 300 kPa	0.24 l/s
Pressure loss with flow (0.2 l/s)	220 kPa

TECHNICAL PROPERTIES

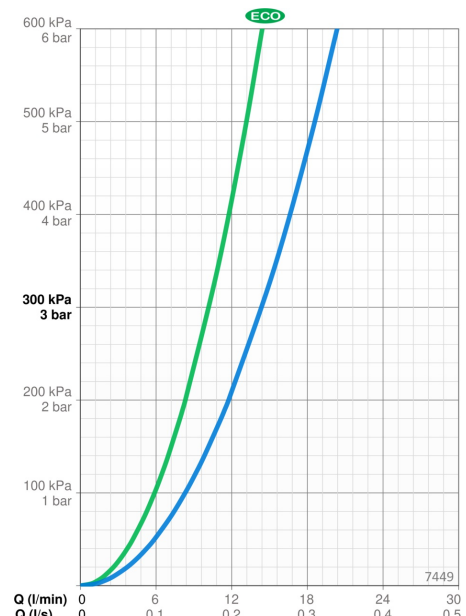
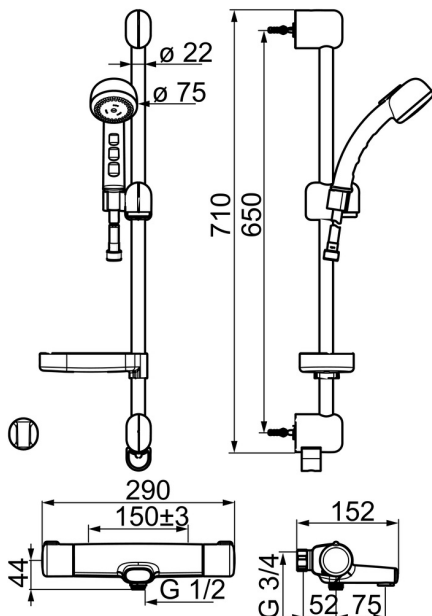
Hot water supply	max. +80°C
Working pressure	100 - 1000 kPa
Connection size	G1/2
Installation width	150 ± 3 mm
Projection	127 mm
Backflow prevention (EN1717)	EB
Material	Brass

REGULATIONS

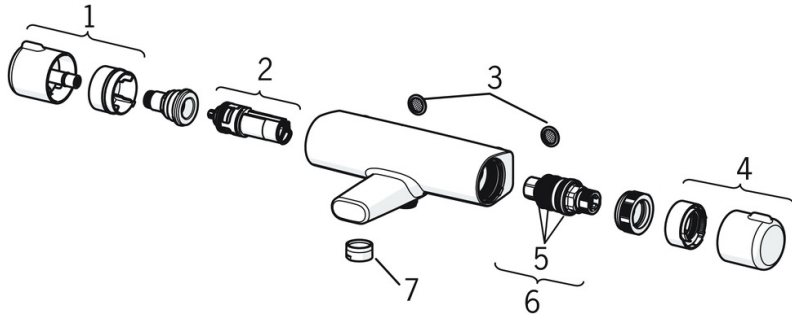
EN standard	EN 1111
Noise class	I (ISO 3822) Oras lab.

APPROVALS AND DECLARATIONS

STF certificate	EUF129-22005199-TH
-----------------	--------------------

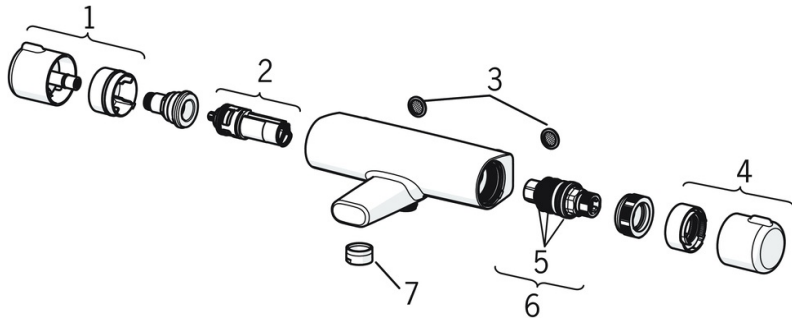


SPARE PARTS



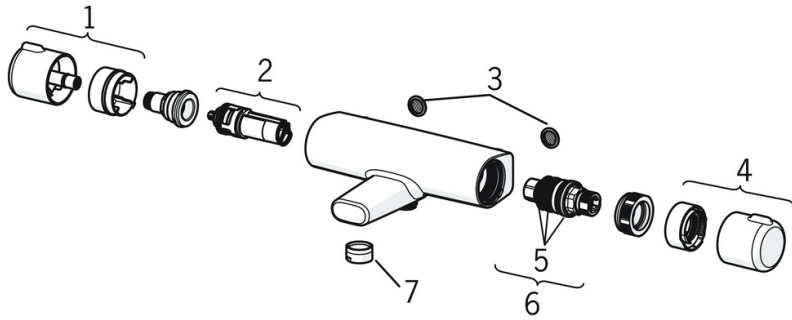
SP0040

Name	Code
01 Slide for shower rail Chrome	259880
02 Cover, (left/right) Chrome	259870
03 Raising socket Discontinued	259451V
04 Soap tray Transparent	253003



SP0083

Name	Code
01 Strainer	249286



SP7462

Name	Code
01 Flow control handle Chrome	602452V
02 Diverter and cartridge	601278V
03 Litter filters, G1/2, DN15	198094/2
03 Filter sealing, G3/4, DN20	178375V
04 Temperature control handle Chrome	602431V
05 O-ring kit	178796V
06 Thermostatic cartridge	178780V
07 Water star, M24x1 Chrome	158556