



Thermostatic shower faucet. Temperature handle equipped with safety stop at 38°C. Volume handle with Eco Flow control. The faucet includes litter filters and non-return valves.

- Wall mounted
- Chrome
- Temperature control handle, Flow control handle, Eco feature for water flow
- Eco flow control
- Safety stop against scalding at 38°C, The housing of the fittings conducts minimal heat
- Ceramic head part for flow control, Thermostatic comfort cartridge for precise temperature control, Non-return valve(s), Litter filter(s)
- Direct connection, Internal thread

TECHNICAL DATA

FLOW PROPERTIES

Eco-flow at 300 kPa	0.19 l/s
Flow-rate at 300 kPa	0.27 l/s
Pressure loss with flow (0.2 l/s)	165 kPa

TECHNICAL PROPERTIES

Hot water supply	max. +80°C
Working pressure	100 - 1000 kPa
Connection size	G3/4
Installation width	150 mm
Backflow prevention (EN1717)	EB
Material	Brass

REGULATIONS

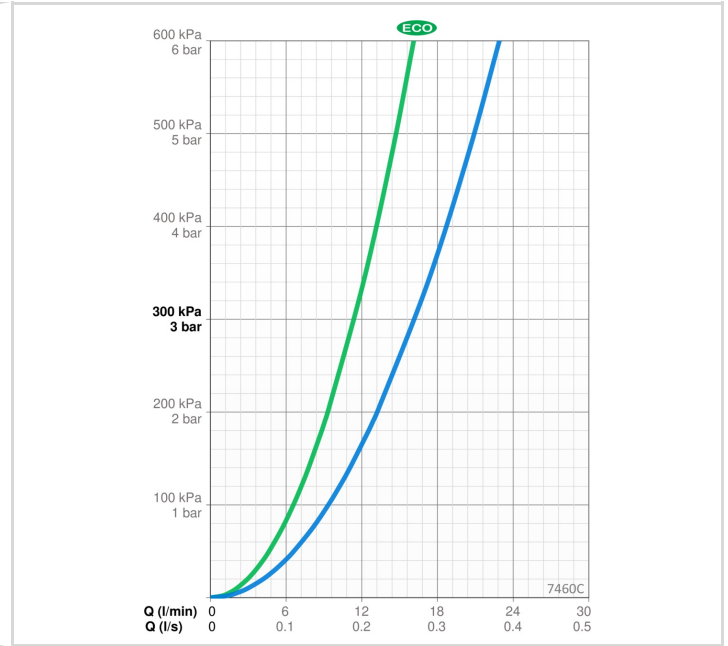
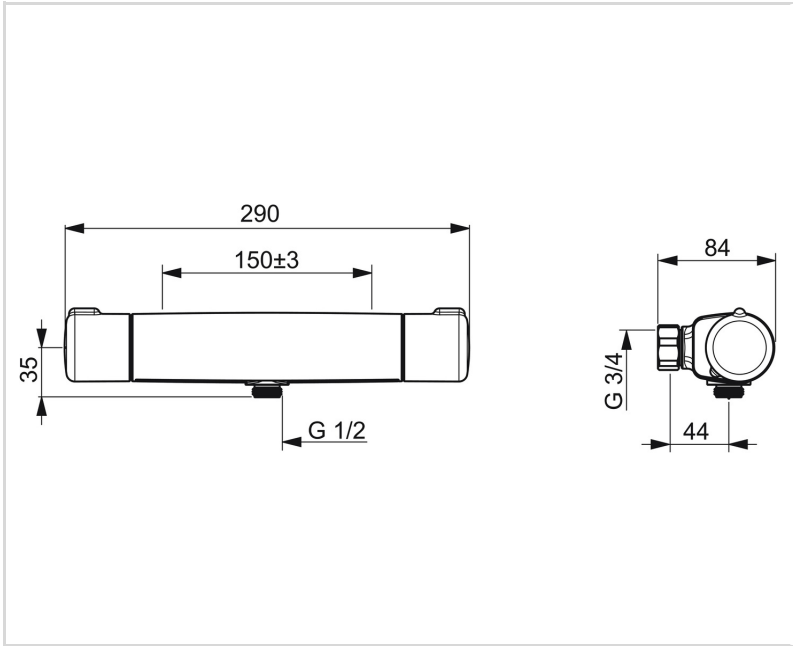
EN standard	EN 1111
Noise class	I (ISO 3822) Oras lab.

APPROVALS AND DECLARATIONS

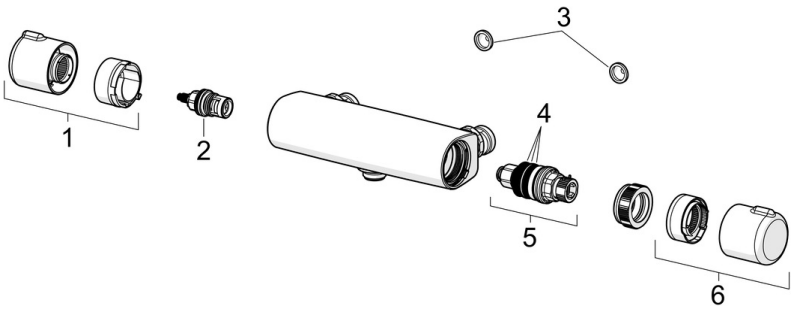
STF certificate	EUFI29-22005199-TH
KIWA SE	1598
Declaration of conformity	DoC
EPD	S-P-06397

SUSTAINABILITY

EPD module A1-A3 (kg CO2 eq.)	9,68
EPD module A4 (kg CO2 eq.)	0,35
EPD module B7 (kg CO2 eq.)	2004,50
EPD module C2 (kg CO2 eq.)	0,02
EPD module C3 (kg CO2 eq.)	0,02
EPD module C4 (kg CO2 eq.)	0,69
EPD module D (kg CO2 eq.)	-6,14



SPARE PARTS



SP7460C

Name	Code
01 Flow control handle Chrome	602430V
02 Headpart Chrome	109898
03 Filter sealing, G3/4, DN20	178375V
04 Temperature control handle Chrome	602431V
05 O-ring kit	178796V
06 Thermostatic cartridge	1008762V