



7462U ORAS NOVA ECO BATH AND SHOWER FAUCET

THERMOSTATIC

EAN: 6414150077333 static.oras.com/7462U

Thermostatic Bath and shower faucet. Eccentric unions and cover plates included. Temperature handle equipped with safety stop at 38°C. Volume handle with diverter and EcoFlow control. The faucet includes litter filters and non-return valves.



- Wall mounted
- Chrome
- Fixed spout
- Standard aerator
- Temperature control handle, Flow control handle, Eco feature for water flow, Safety feature for water temperature
- Turn operated diverter, Integrated into flow control handle
- Eco flow control
- Safety stop against scalding at 38°C
- Litter filter(s), Non-return valve(s), Thermostatic cartridge for automatic temperature control
- Eccentric coupling(s), Cover plate(s), Silencer(s)
- Inner body made of DZR brass

TECHNICAL DATA

FLOW PROPERTIES

Eco-flow at 300 kPa	0.16 l/s
Flow-rate at 300 kPa	0.33 l/s
Pressure loss with flow (0.2 l/s)	230 kPa
Pressure loss with flow (0.3 l/s)	300 kPa

TECHNICAL PROPERTIES

Hot water supply	max. +80°C
Working pressure	100 - 1000 kPa
Connection size	G1/2
Installation width	150 mm
Projection	159 mm
Backflow prevention (EN1717)	EB
Material	Brass/Composite

REGULATIONS

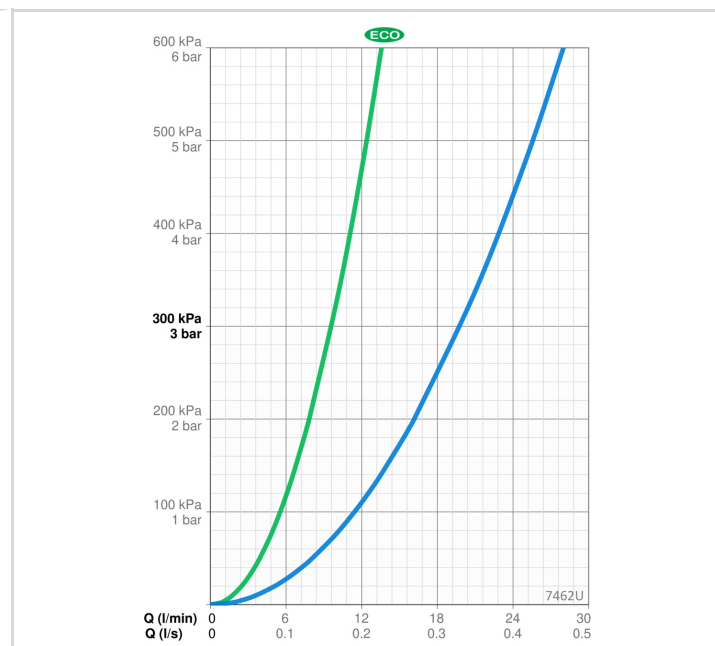
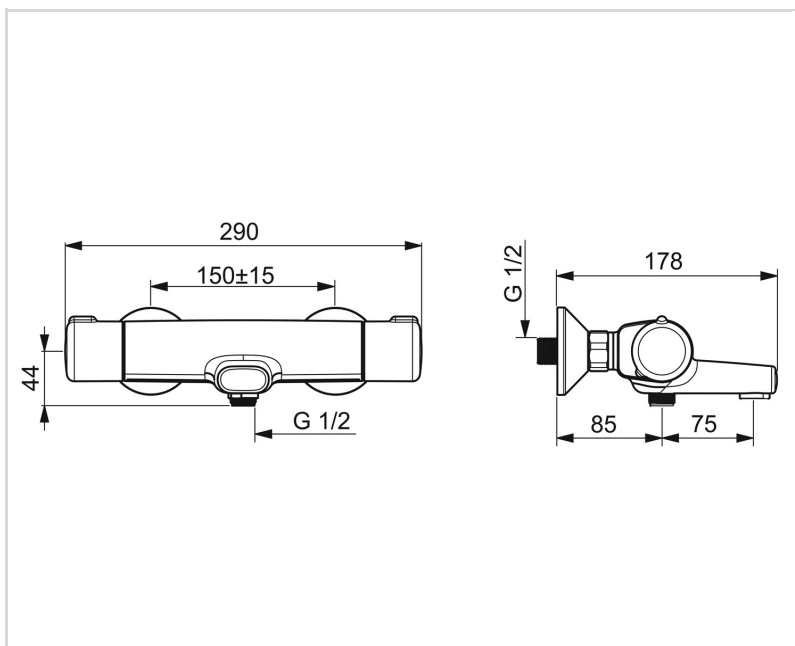
EN standard	EN 1111
Noise class	I (ISO 3822) Oras lab.

APPROVALS AND DECLARATIONS

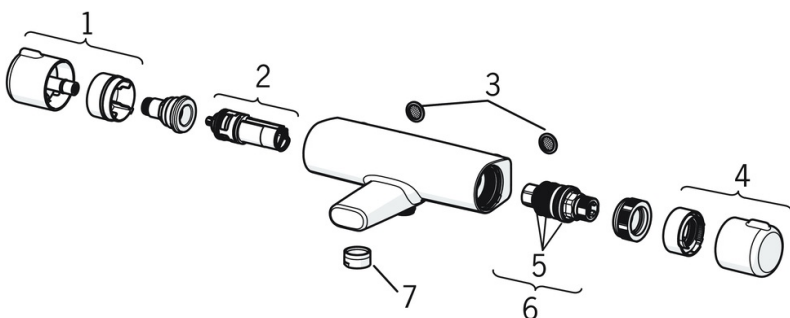
KIWA SE	1598
Declaration of conformity	DoC
EPD	S-P-06397

SUSTAINABILITY

EPD module A1-A3 (kg CO2 eq.)	10,55
EPD module A4 (kg CO2 eq.)	0,38
EPD module B7 (kg CO2 eq.)	1688,00
EPD module C2 (kg CO2 eq.)	0,02
EPD module C3 (kg CO2 eq.)	0,02
EPD module C4 (kg CO2 eq.)	0,75
EPD module D (kg CO2 eq.)	-6,69



SPARE PARTS



SP7462

Name	Code
01 Flow control handle Chrome	602452V
02 Diverter and cartridge	601278V
03 Litter filters, G1/2, DN15	198094/2
03 Filter sealing, G3/4, DN20	178375V
04 Temperature control handle Chrome	602431V
05 O-ring kit	178796V
06 Thermostatic cartridge	178780V
07 Water star, M24x1 Chrome	158556