



7464GL ORAS NOVA ECO SHOWER FAUCET, 160CC

THERMOSTATIC

EAN: 6414150100178 static.oras.com/7464GL



- Wall mounted
- Chrome
- Temperature control handle, Flow control handle, Eco feature for water flow
- Eco flow control
- Safety stop against scalding at 38°C, Temperature preset fixable
- Ceramic head part for flow control, Thermostatic cartridge for automatic temperature control, Non-return valve(s), Litter filter(s)
- Direct connection, Internal thread
- lead free, < 0,1% Pb

TECHNICAL DATA

FLOW PROPERTIES

Eco-flow at 300 kPa	0.10 l/s
Pressure loss with flow (0.2 l/s)	165 kPa

TECHNICAL PROPERTIES

Hot water supply	max. +80°C
Working pressure	100 - 1000 kPa
Connection size	M26x1.5
Installation width	160 mm
Backflow prevention (EN1717)	EB
Material	Brass

REGULATIONS

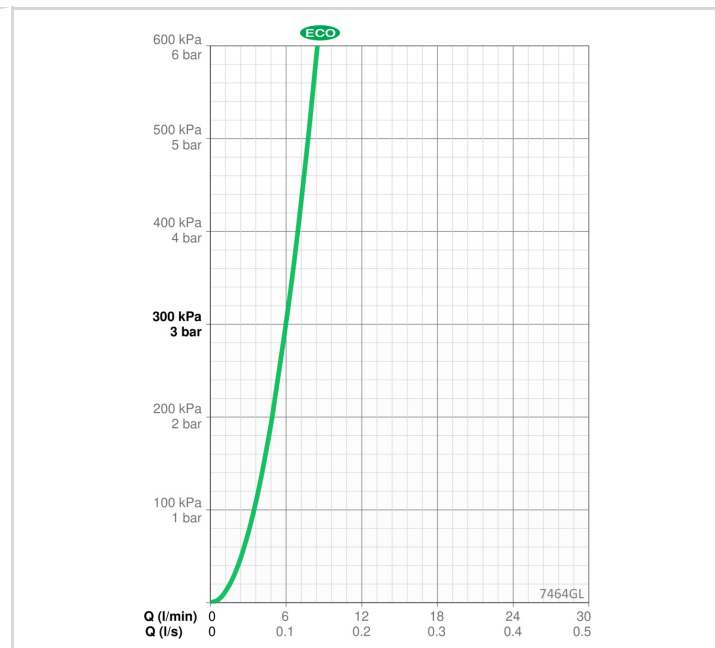
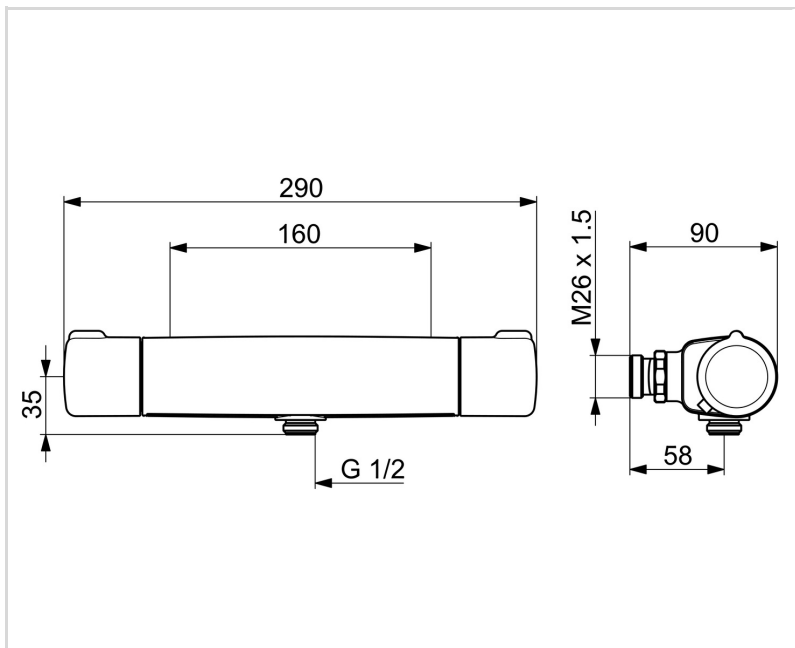
EN standard	EN 1111
Noise class	I (ISO 3822) Oras lab.

APPROVALS AND DECLARATIONS

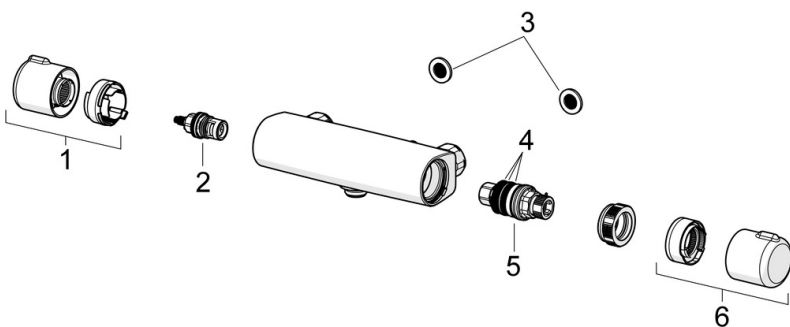
Declaration of conformity	DoC
EPD	S-P-06397

SUSTAINABILITY

EPD module A1-A3 (kg CO2 eq.)	9,74
EPD module A4 (kg CO2 eq.)	0,35
EPD module B7 (kg CO2 eq.)	1055,00
EPD module C2 (kg CO2 eq.)	0,02
EPD module C3 (kg CO2 eq.)	0,02
EPD module C4 (kg CO2 eq.)	0,69
EPD module D (kg CO2 eq.)	-6,18



SPARE PARTS



SP7412G

Name	Code
01 Flow control handle Chrome	1013127V
02 Headpart Chrome	109898
03 Filter sealing, G3/4, DN20	178375V
03 Litter filters, G1/2, DN15	198094/2
04 O-ring kit	178796V
05 Thermostatic cartridge	178780V
06 Temperature control handle Chrome	602431V