



8527 LA CUCINA ALESSI BY ORAS WASHBASIN FAUCET, 6 V

DISCONTINUED

BATTERY-OPERATED, TOUCHLESS

EAN: 6414150049569 static.oras.com/8527

Touchless washbasin faucet with a mixing valve. Battery-operated 6 V. No adjustments are required when installing the faucet. The faucet is equipped with litter filters and non-return valves.

Design: Stefano Giovannoni



- Public & Semi-public
- Deck mounted
- Chrome
- Fixed spout
- Litter filter(s), Mixing valve for manual temperature control, Non-return valve(s)
- External control unit, Autofocus infrared sensor, Solenoid valve, Low battery indicator

TECHNICAL DATA

FLOW PROPERTIES

Flow-rate at 300 kPa (with flow controller)	0.1 l/s
Pressure loss with flow (0.1 l/s)	200 kPa

TECHNICAL PROPERTIES

Hot water supply	max. +70°C
Working pressure	100 - 1000 kPa
Connection size	G3/8
Projection	110 mm
Backflow prevention (EN1717)	AA
Material	Brass

SOFTWARE SETTINGS

Afterflow period	2 s ± 1 s
Max. flow period	2 min

ELECTRONIC PROPERTIES

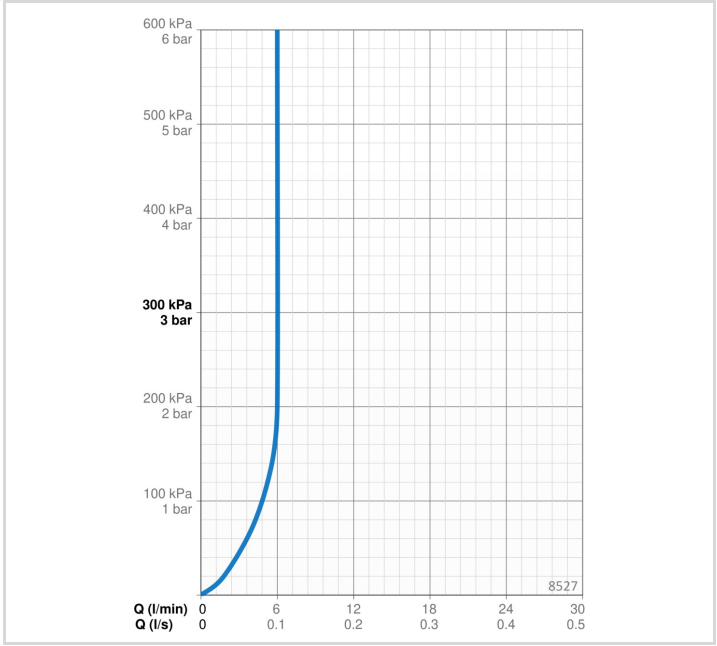
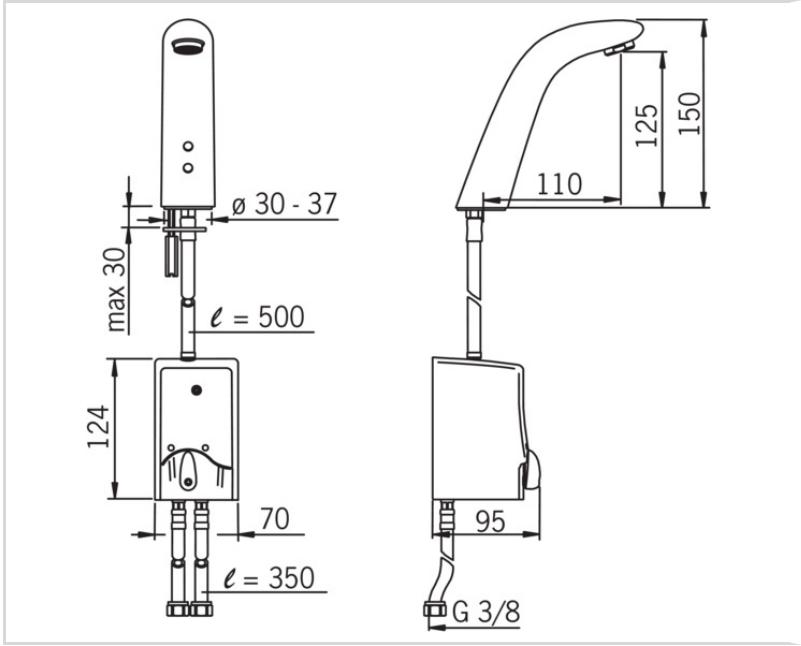
Battery	Lithium 2CR5 6 V
---------	------------------

REGULATIONS

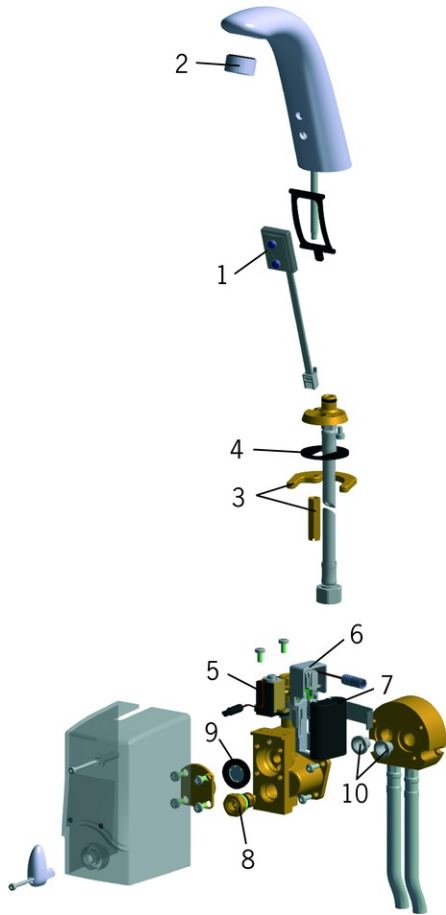
EU Directives	CE EMC Directive 2014/30/EU , RoHS Directive 2011/65/EU
EN standard	EN 15091, ETSI EN 301 489-1 V1.9.2 , ETSI EN 300 328 v2.2.2 , EN 61000-6-1:2007 , EN 61000-6-3:2007+A1:2011+AC:2012 , EN 60335-1:2012+A11+A13+A1+A14+A2+A15:2021, Part 19.11.4
Noise class	II (ISO 3822)
Protection class	IP 55

APPROVALS AND DECLARATIONS

UN38.3	UN38-3 Maxell 2CR5
Declaration of conformity	EMC

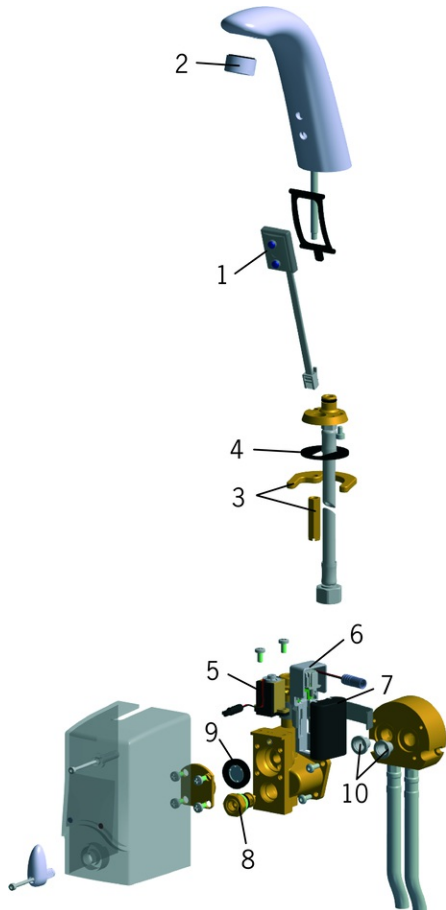


SPARE PARTS



SP8527

	Name	Code
01	Sensor, 6 V	199389V
02	Aerator, M24x1, 6 l/min Chrome	199266V
03	Fixing plate with a nut	159607V
04	Bottom seal Discontinued	859375V
05	Pilot valve, 3/03-	199390V
06	Battery holder with circuit card	199268V
07	Lithium battery, 2CR5 6 V	198330
08	Temperature regulator	198484V
09	Membrane for solenoid valve	198298V
10	Litter filters	199257/2



SP8527(2014)

	Name	Code
01	Sensor, 6 V	199389V
02	Aerator, M24x1, 6 l/min Chrome	199266V
03	Fixing plate with a nut	159607V
04	Bottom seal Discontinued	859375V
05	Pilot valve, 6 V	600452V
06	Battery holder with circuit card	199268V
07	Lithium battery, 2CR5 6 V	198330
08	Temperature regulator	198484V
09	Membrane for solenoid valve	198298V
10	Litter filters	199257/2