



# 8528 LA CUCINA ALESSI BY ORAS WASHBASIN FAUCET FOR KITCHEN, 6 V

DISCONTINUED

BATTERY-OPERATED, TOUCHLESS

EAN: 6414150049576 [static.oras.com/8528](http://static.oras.com/8528)

Touchless washbasin faucet with a mixing valve. Battery-operated 6 V. The control unit is equipped with a kitchen faucet connection. No adjustments are required when installing the faucet. The faucet is equipped with litter filters and non-return valves.

Design: Stefano Giovannoni



- Deck mounted
- Chrome
- Fixed spout
- Litter filter(s), Mixing valve for manual temperature control
- Autofocus infrared sensor, External control unit, Low battery indicator

## TECHNICAL DATA

### FLOW PROPERTIES

Flow-rate at 300 kPa (with flow controller)	0.1 l/s
Pressure loss with flow (0.1 l/s)	200 kPa

### TECHNICAL PROPERTIES

Hot water supply	max. +70°C
Working pressure	100 - 1000 kPa
Connection size	G3/8
Projection	110 mm
Backflow prevention (EN1717)	AA
Material	Brass

### SOFTWARE SETTINGS

Max. flow period	2 min
------------------	-------

### ELECTRONIC PROPERTIES

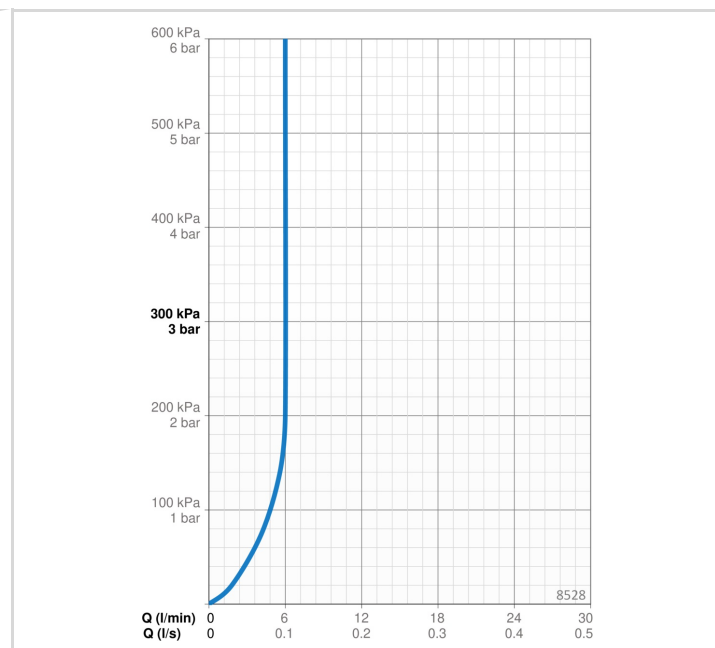
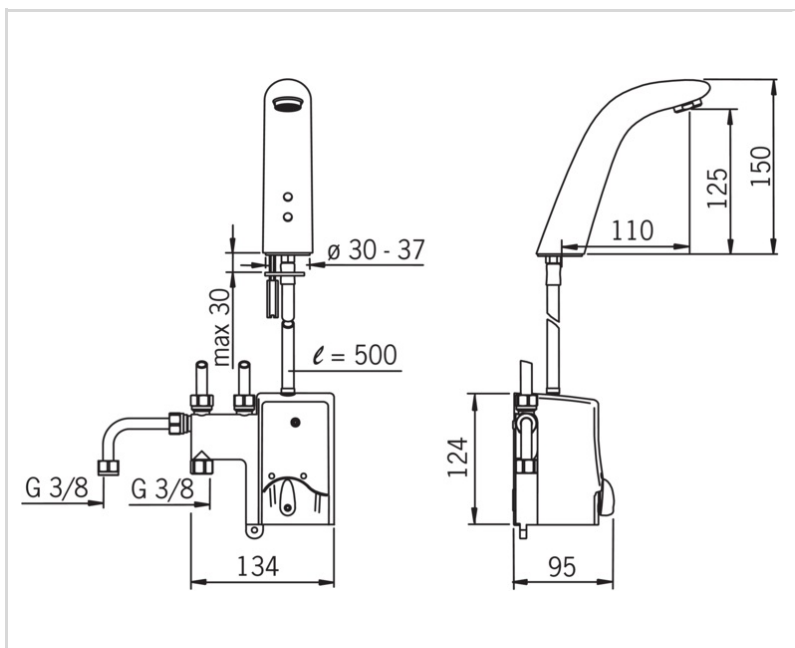
Battery	Lithium 2CR5 6 V
---------	------------------

### REGULATIONS

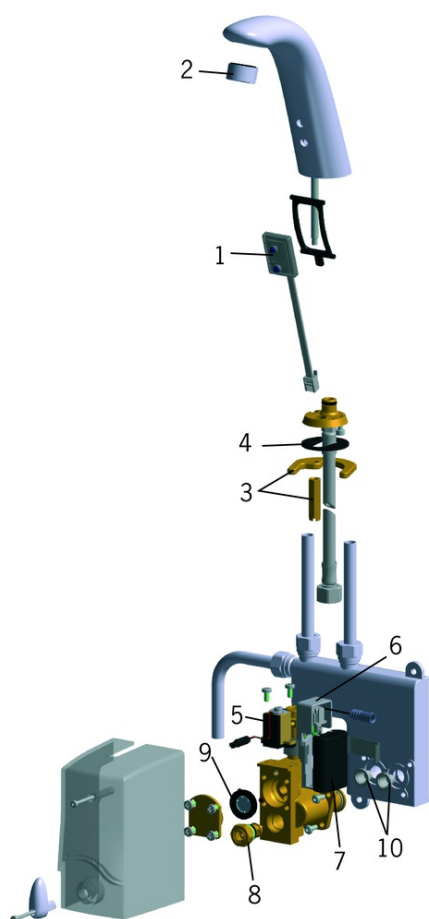
EU Directives	CE EMC Directive 2014/30/EU , RoHS Directive 2011/65/EU
EN standard	EN 15091, ETSI EN 301 489-1 V1.9.2 , ETSI EN 300 328 v2.2.2 , EN 61000-6-1:2007 , EN 61000-6-3:2007+A1:2011+AC:2012 , EN 60335-1:2012+A11+A13+A14+A14+A2+A15:2021, Part 19.11.4
Noise class	II (ISO 3822)
Protection class	IP 55

### APPROVALS AND DECLARATIONS

UN38.3	BP 0001-3
Declaration of conformity	EMC



## SPARE PARTS



## SP8528

	Name	Code
01	Sensor, 6 V	199389V
02	Aerator, M24x1, 6 l/min Chrome	199266V
03	Fixing plate with a nut	159607V
04	Bottom seal Discontinued	859375V
05	Pilot valve, 6 V	600452V
06	Battery holder with circuit card	199268V
07	Lithium battery, 2CR5 6 V	198330
08	Temperature regulator	198484V
09	Membrane for solenoid valve	198298V
10	Litter filters	199257/2