



# 8720F ALESSI SENSE BY ORAS KITCHEN FAUCET, 230/12 V

DISCONTINUED

TIPTRONIC, PLUG TRANSFORMER

EAN: 6414150075551 [static.oras.com/8720F](http://static.oras.com/8720F)



Kitchen faucet with swivel spout and aerator. Faucet is opened by pressing gently on top of it, after which the faucet is open for 6 s. (Factory setting) By pressing on top of the faucet for one second, the faucet stays open for one minute. By pressing on top of the faucet for 4 seconds, the faucet goes into cleaning mode and remains closed for 20 seconds. Easy to use temperature control handle which operates also as a flow controller. The faucet can also be opened from the temperature control handle to obtain either hot or cold water without automatic closing. In this case, it closes automatically after five minutes, unless it is manually closed before that. Electrical connection with a plug transformer 230/12 V. Design by Rodrigo Torres. F = with flexible pipes.

- Deck mounted
- Chrome/White
- Swivel spout, Swivel range limiting option
- Standard aerator
- Temperature control handle
- Solenoid valve, External control unit, Power supply, Light indicated function(s)
- Flexible inlet pipes
- Software settings adjustable via magnetic key

## TECHNICAL DATA

### FLOW PROPERTIES

Flow-rate at 300 kPa	0.14 l/s
Pressure loss with flow (0.1 l/s)	155 kPa

### TECHNICAL PROPERTIES

Hot water supply	max. +70°C
Working pressure	100 - 1000 kPa
Connection size	G3/8
Projection	200 mm
Material	Brass

### SOFTWARE SETTINGS

Automatic flush	off (off/12/24/48/72 h)
Automatic flush period	30 s (10-600 s)
Max. flow period	6 s (4-60 s) / 60 s (30-600 s)

### ELECTRONIC PROPERTIES

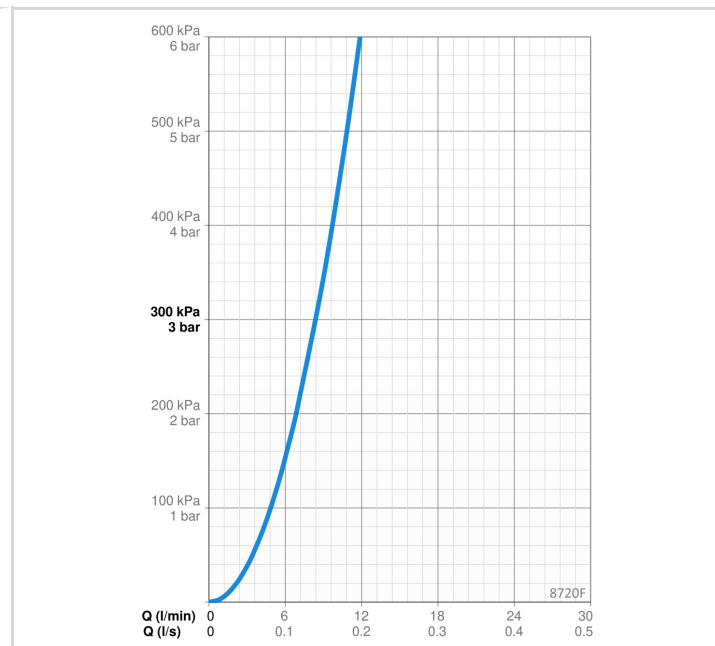
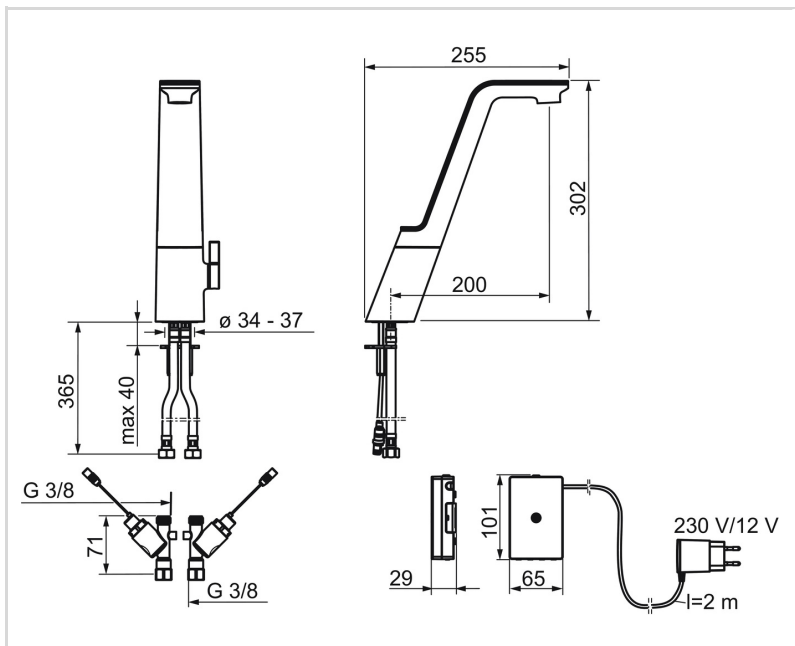
Electrical Connection	230 / 12 V
-----------------------	------------

### REGULATIONS

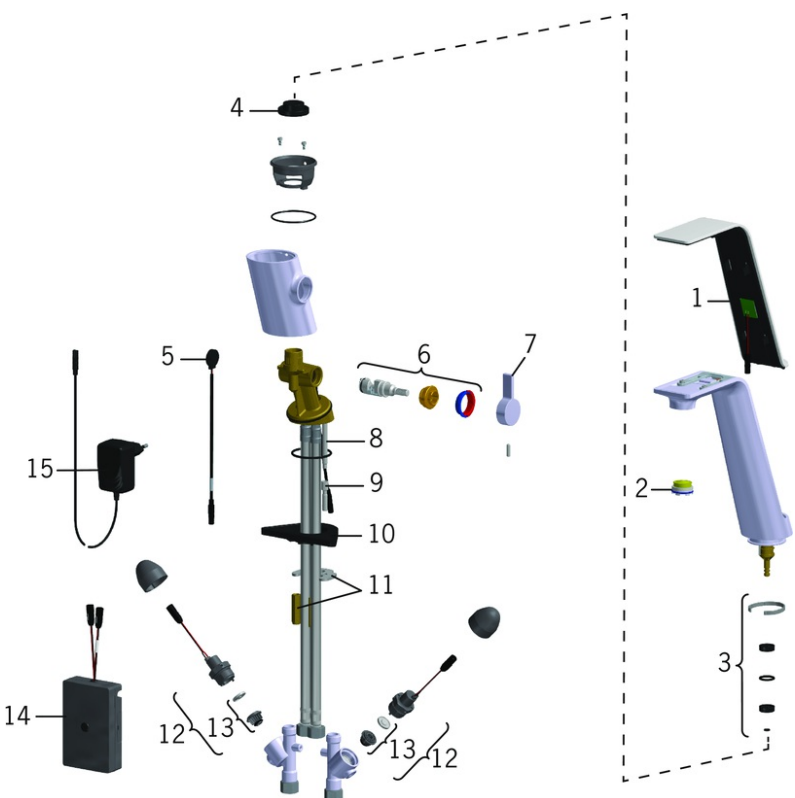
EU Directives	CE Low Voltage Directive 2014/35/EU , EMC Directive 2014/30/EU , RoHS Directive 2011/65/EU
EN standard	EN 15091, ETSI EN 301 489-1 V1.9.2 , ETSI EN 300 328 v2.2.2 , EN 61000-6-1:2007 , EN 61000-6-3:2007+A1:2011+AC:2012 , EN 60335-1:2012+A11+A13+A14+A15:2021, Part 19.11.4
Noise class	I (ISO 3822) Oras lab.
Protection class	IP 44

### APPROVALS AND DECLARATIONS

Declaration of conformity	LVD
---------------------------	-----



**SPARE PARTS**



**SP8720F**

Name	Code
01 Cover full	601792V
02 Aerator and key, M24x1 STD CC S	601287V
03 Bearing kit for spout	601751V
04 Spout overturning stopper Discontinued	601749V
05 Electronic casing	601790V
06 Temperature adjustment spindle	601752V
07 Lever Chrome	601753V
08 Fixing screw, M6x65 Discontinued	158747/10
09 Extension screw kit, M6 Chrome	158893
10 Supporting plate, 100x60mm	158825
11 Fixing plates with nuts	158697
12 Pilot valve, 3 V	601884V-F
13 Membrane Discontinued	601512V
13 Membrane for solenoid valve	1006500V
14 Control unit	602292V
15 Power supply, 230/12 V, 500 mA	199500