



# 9110FZ-33 ORAS ELECTRA SAFETY WASHBASIN FAUCET, 3 V, BLUETOOTH

TOUCHLESS, BATTERY-OPERATED, EXTERNAL TRANSFORMER, BLUETOOTH®, LEAD FREE

EAN: 6414150102080 [static.oras.com/9110FZ-33](http://static.oras.com/9110FZ-33)

Touchless washbasin faucet, designed with the latest technology for a smart and seamless experience. This deck-mounted faucet features a touchless operation and Bluetooth® connectivity, allowing for easy control via the app. The temperature control handle offers precise water temperature adjustments, while the fixed spout delivers a consistent water flow. Touchless faucets are proven to reduce water consumption by up to 50%, making it an eco-friendly choice. The new sharp design give an illustration of the faucet leaning forward, but still give you good height to secure free space for the hands, in any given sink design. With software settings adjustable via app and convertible for cold or premixed-water supply, this faucet brings sustainability and safety.

Aerator with tilt function +/- 10° for more flexible installation  
Newest sensor technology for better detection and operation comfort  
Bluetooth technology for easy adjustment to personalize settings  
Antiscalding protection and temperature measurement  
Battery and power cable

Upgrade Electra 91 series - designed to compliment any new bathroom.

Bluetooth Touchless faucet with tilt aerator. +/- 10° adjustment option.  
Easy grip temperature lever for good grip and easy adjustment.  
SMART intelligent bluetooth sensor with 3 optical lenses for improved performance supported by app connection for personalized and easy adjustment of sensor settings.  
Intelligent temperature measurement and intelligent Antiscalding protection.  
Metal free waterways due to high pressure composite construction and easy installation due to fast and easy 3S installation system.

- Public & Semi-public, Industry, Housing
- Deck mounted
- Matt black
- Fixed spout
- PCA® - constant flow rate regardless of pressure variations, Adjustable flow angle
- Temperature control handle
- Adjustable hot water stop (included, retrofittable)
- Mixing valve for manual temperature control, Non-return valve(s), Litter filter(s)
- Advanced PSD sensor, Low battery indicator, Light indicated function(s), Smart antiscalding protection
- Flexible inlet pipes
- 3S-installation system for safe and simple mounting, Software settings adjustable via App

## TECHNICAL DATA

### FLOW PROPERTIES

Flow-rate at 300 kPa (with flow controller)	0.1 l/s
Pressure loss with flow (0.1 l/s)	300 kPa

### TECHNICAL PROPERTIES

Hot water supply	max. +70°C
Working pressure	100 - 1000 kPa
Connection size	G3/8
Projection	123 mm
Backflow prevention (EN1717)	EB
Material	Composite

### SOFTWARE SETTINGS

Afterflow period	3 s (1-20 s)
Automatic flush	off (off/1-120 h)
Automatic flush period	30 s (1-1800 s)
Max. flow period	2 min (1 - 1800 s)

### ELECTRONIC PROPERTIES

Electrical Connection	9 V
Battery	AA 1.5 V Lithium x 2
Bluetooth version	5.x (D060576)

## REGULATIONS

EU Directives

CE Radio Equipment Directive 2014/53/EU , Low Voltage Directive 2014/35/EU , EMC Directive 2014/30/EU , RoHS Directive 2011/65/EU

EN standard

EN 15091, ETSI EN 301 489-1 V1.9.2 , ETSI EN 300 328 v2.2.2, EN 18031-1, EN 61000-6-1:2007 , EN 61000-6-3:2007+A1:2011+AC:2012 , EN 60335-1:2012+A11+A13+A14+A2+A15:2021, Part 19.11.4

Noise class

I (ISO 3822)

Protection class

IP 55

## APPROVALS AND DECLARATIONS

STF certificate

EUFI29-24001542-TH

KIWA SE

1904

Declaration of conformity

RED

EPD

S-P-07753

## SUSTAINABILITY

EPD module A1-A3 (kg CO2 eq.)

3,72

EPD module A4 (kg CO2 eq.)

0,15

EPD module B7 (kg CO2 eq.)

930,00

EPD module C2 (kg CO2 eq.)

0,01

EPD module C3 (kg CO2 eq.)

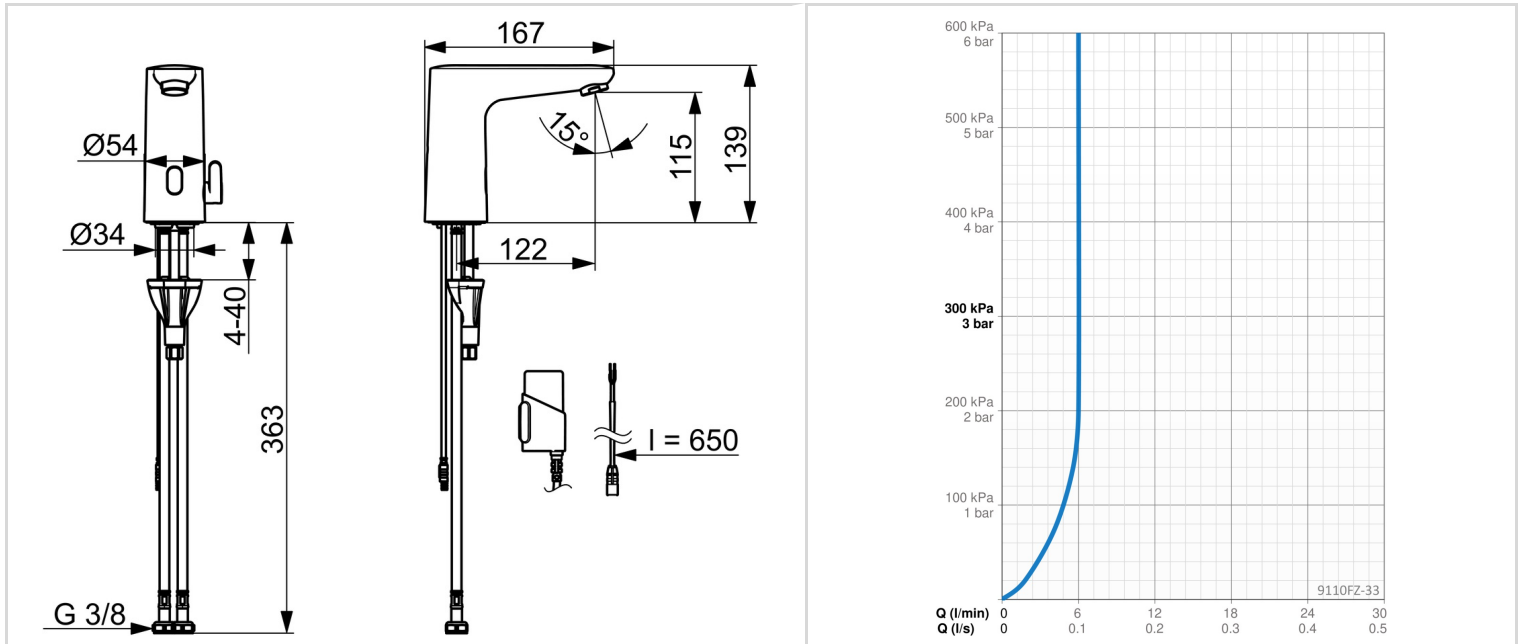
0,00

EPD module C4 (kg CO2 eq.)

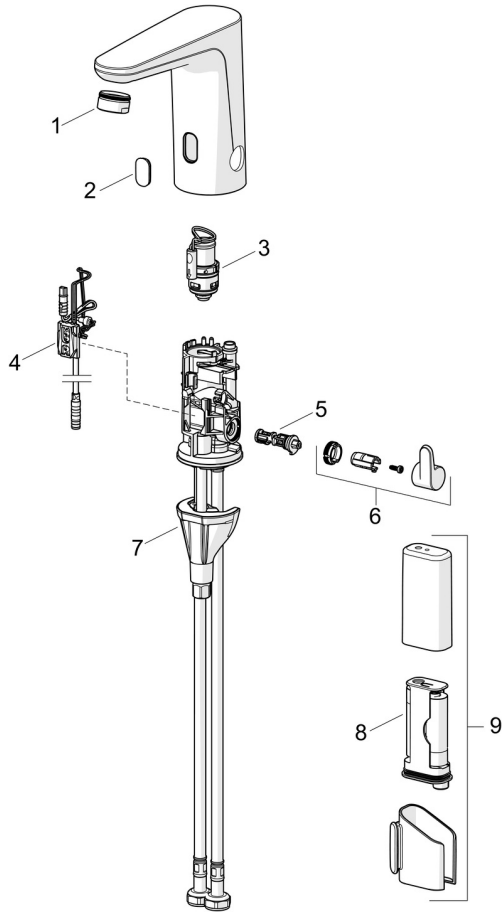
0,89

EPD module D (kg CO2 eq.)

-0,70



**SPARE PARTS**



**SP9110FZ-33**

	<b>Name</b>	<b>Code</b>
01	Aerator, M24x1 HC PCA 7.0 l/min Matt black	1016723V-33
02	Window	1015362V
03	Pilot valve	1008658V
04	Sensor, 3/9 V, Bluetooth	1012464V
05	Temperature regulator	1010630V
06	Temperature control handle Matt black	1017587V-33
07	Fixing set	602610V
08	Battery, (2x) 1.5 V AA Lithium	600599V
09	Battery casing, 3 V	290006