



9200FTZ ORAS ELECTRA WASHBASIN FAUCET, 230/9 V, BLUETOOTH

TOUCHLESS, PLUG TRANSFORMER, BLUETOOTH®, LEAD FREE

EAN: 6414150101618 static.oras.com/9200FTZ

Electra 92 series is giving you a whole new modern design with its rounded square body and spout. Giving you new fresh and updated design. Design compliments the new trends of the modern bathroom with its more squared design.

Key Features

- Aerator with Tilt function +/- 10° for more flexible installation
- Newest Sensor technology for better detection and operation comfort
- Bluetooth technology for easy adjustment to personalize settings
- Power Plug

Bluetooth Touchless faucet with tilt aerator. +/- 10° adjustment option. Easy grip temperature lever for good grip and easy adjustment.

SMART intelligent bluetooth sensor with 3 optical lenses for improved performance supported by app connection for personalized and easy adjustment of sensor settings.

Metal free waterways due to high pressure composite construction and easy installation due to fast and easy 3S installation system.

- Public & Semi-public, Housing
- Deck mounted
- Chrome
- Fixed spout
- PCA® - constant flow rate regardless of pressure variations, Adjustable flow angle
- Temperature control handle
- Adjustable hot water stop (included, retrofittable)
- Mixing valve for manual temperature control, Non-return valve(s), Litter filter(s)
- Advanced PSD sensor, Power supply, Light indicated function(s)
- Flexible inlet pipes
- 3S-installation system for safe and simple mounting, Software settings adjustable via App

TECHNICAL DATA

FLOW PROPERTIES

Flow-rate at 300 kPa (with flow controller)	0.1 l/s
Pressure loss with flow (0.1 l/s)	300 kPa

TECHNICAL PROPERTIES

Hot water supply	max. +70°C
Working pressure	100 - 1000 kPa
Connection size	G3/8
Projection	117 mm
Backflow prevention (EN1717)	EB
Material	Composite

SOFTWARE SETTINGS

Afterflow period	3 s (1-20 s)
Automatic flush	off (off/1-120 h)
Automatic flush period	30 s (1-1800 s)
Max. flow period	2 min (1 - 1800 s)

ELECTRONIC PROPERTIES

Electrical Connection	230 / 9 V
Bluetooth version	5.x (D060576)

REGULATIONS

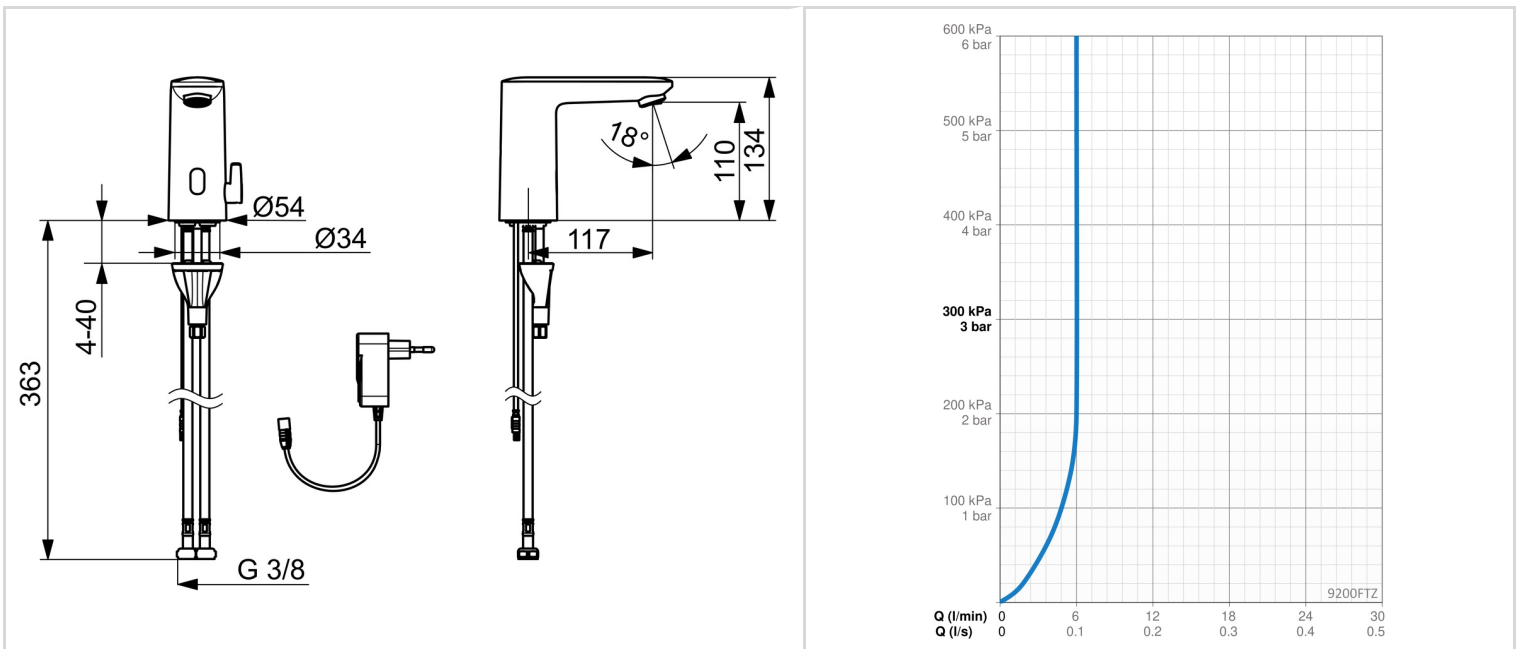
EU Directives	CE Radio Equipment Directive 2014/53/EU , Low Voltage Directive 2014/35/EU , EMC Directive 2014/30/EU , RoHS Directive 2011/65/EU
EN standard	EN 15091, ETSI EN 301 489-1 V1.9.2 , ETSI EN 300 328 v2.2.2, EN 18031-1, EN 61000-6-1:2007 , EN 61000-6-3:2007+A1:2011+AC:2012 , EN 60335-1:2012+A11+A13+A14+A2+A15:2021, Part 19.11.4
Noise class	I (ISO 3822)
Protection class	IP 55 / transformer IP 20

APPROVALS AND DECLARATIONS

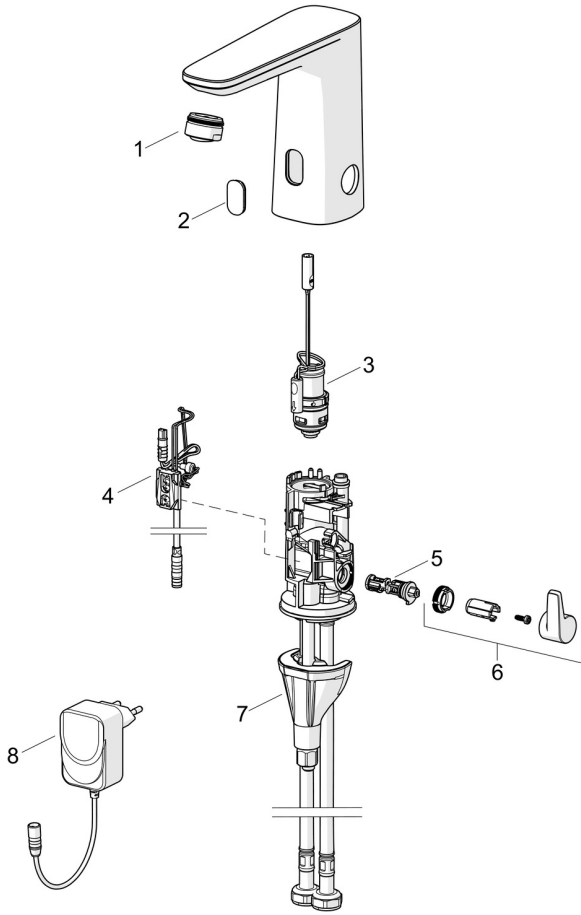
STF certificate	EUFI29-24001542-TH
KIWA SE	1904
Declaration of conformity	RED
EPD	S-P-07753

SUSTAINABILITY

EPD module A1-A3 (kg CO2 eq.)	4,02
EPD module A4 (kg CO2 eq.)	0,16
EPD module B7 (kg CO2 eq.)	930,00
EPD module C2 (kg CO2 eq.)	0,01
EPD module C3 (kg CO2 eq.)	0,00
EPD module C4 (kg CO2 eq.)	0,96
EPD module D (kg CO2 eq.)	-0,76



SPARE PARTS



SP9200FTZ

	Name	Code
01	Aerator, M24x1 HC PCA 7.0 l/min Chrome	1016723V
02	Window	1012249V
03	Pilot valve	1008658V
04	Sensor, 3/9 V, Bluetooth	1012464V
05	Temperature regulator	1010630V
06	Temperature control handle Chrome	1017587V
07	Fixing set	602610V
08	Power supply, 230/9 V, 550 mA	199550