



# 9222FZ-33 ORAS ELECTRA DIGITAL WASHBASIN FAUCET, 3 V, BLUETOOTH

TOUCHLESS, BIDETTA, BATTERY-OPERATED, EXTERNAL TRANSFORMER, BLUETOOTH®, LEAD FREE

EAN: 6414150101809 [static.oras.com/9222FZ-33](http://static.oras.com/9222FZ-33)

Electra 92 series is giving you a whole new modern design with its rounded square body and spout. Giving you new fresh and updated design. Design compliments the new trends of the modern bathroom with its more squared design.



## Key Features

- Aerator with Tilt function +/- 10° for more flexible installation
- Newest Sensor technology for better detection and operation comfort
- Bluetooth technology for easy adjustment to personalize settings
- Antiscalding protection
- Temperature measurement
- Bluetooth Remote bidetta
- Digital Network Service
- Battery and power cable

Bluetooth Touchless faucet with tilt aerator. +/- 10° adjustment option.  
 Easy grip temperature lever for good grip and easy adjustment.  
 SMART intelligent bluetooth sensor with 3 optical lenses for improved performance supported by app connection for personalized and easy adjustment of sensor settings.  
 SMART Remote bidetta option with automated on and off water function.  
 Supports Digital Network Service for remote monitoring and communication.  
 Intelligent temperature measurement and intelligent Antiscalding protection.  
 Metal free waterways due to high pressure composite construction and easy installation due to fast and easy 3S installation system.

- Public & Semi-public, Industry, Housing
- Deck mounted
- Matt black
- Fixed spout
- PCA® - constant flow rate regardless of pressure variations, Adjustable flow angle
- Temperature control handle
- Hand shower, Shower holder, Shower hose (1500 mm)
- Remote-operated Smart Bidetta
- Adjustable hot water stop (included, retrofittable)
- Mixing valve for manual temperature control, Non-return valve(s), Litter filter(s)
- Advanced PSD sensor, Low battery indicator, Light indicated function(s), Smart antiscalding protection
- Flexible inlet pipes
- 3S-installation system for safe and simple mounting, Software settings adjustable via App
- 1 spray function

## TECHNICAL DATA

### FLOW PROPERTIES

Flow-rate at 300 kPa	0.08 l/s
Pressure loss with flow (0.1 l/s)	470 kPa (70% qv = 230 kPa)

### TECHNICAL PROPERTIES

Hot water supply	max. +70°C
Working pressure	100 - 1000 kPa
Connection size	G3/8
Projection	117 mm
Backflow prevention (EN1717)	EB
Material	Composite

### SOFTWARE SETTINGS

Afterflow period	3 s (1-20 s)
Automatic flush	off (off/1-120 h)
Automatic flush period	30 s (1-1800 s)
Max. flow period	2 min (1 - 1800 s)

### ELECTRONIC PROPERTIES

Electrical Connection	9 V
Battery	AA 1.5 V Lithium x 2
Bluetooth version	5.x (D060576)

## REGULATIONS

EU Directives

CE Radio Equipment Directive 2014/53/EU , Low Voltage Directive 2014/35/EU , EMC Directive 2014/30/EU , RoHS Directive 2011/65/EU

EN standard

EN 15091, ETSI EN 301 489-1 V1.9.2 , ETSI EN 300 328 v2.2.2, EN 18031-1, EN 61000-6-1:2007 , EN 61000-6-3:2007+A1:2011+AC:2012 , EN 60335-1:2012+A11+A13+A14+A2+A15:2021, Part 19.11.4

Noise class

I (ISO 3822)

Protection class

IP 55

## APPROVALS AND DECLARATIONS

STF certificate

EUFI29-24001542-TH

KIWA SE

1904

Declaration of conformity

RED

EPD

S-P-07753

## SUSTAINABILITY

EPD module A1-A3 (kg CO2 eq.)

6,45

EPD module A4 (kg CO2 eq.)

0,25

EPD module B7 (kg CO2 eq.)

744,00

EPD module C2 (kg CO2 eq.)

0,01

EPD module C3 (kg CO2 eq.)

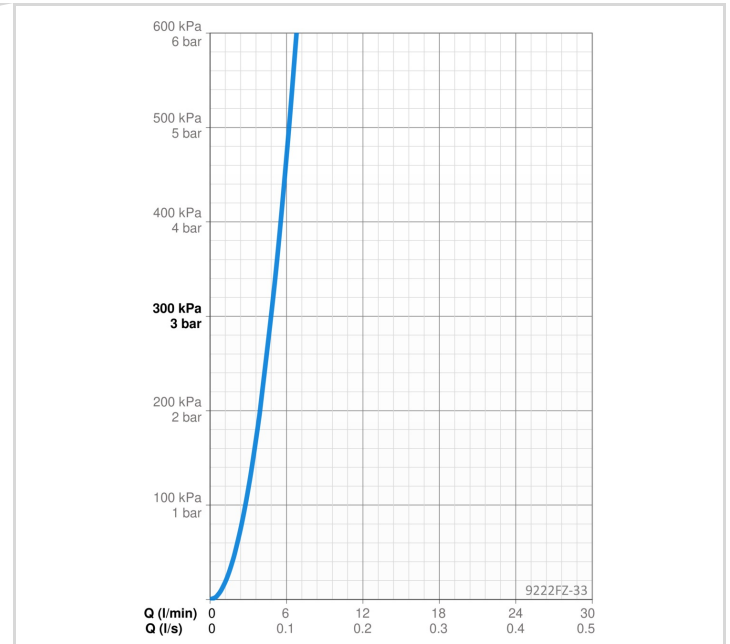
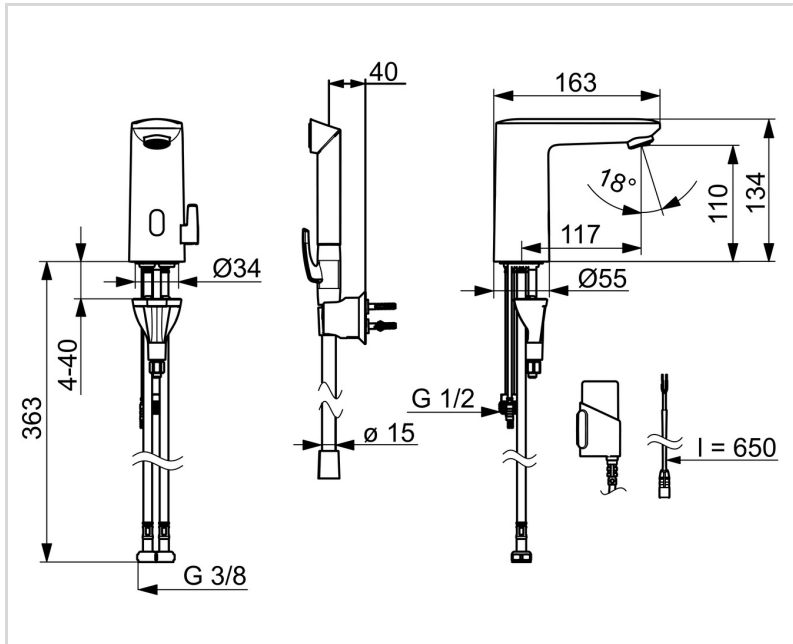
0,00

EPD module C4 (kg CO2 eq.)

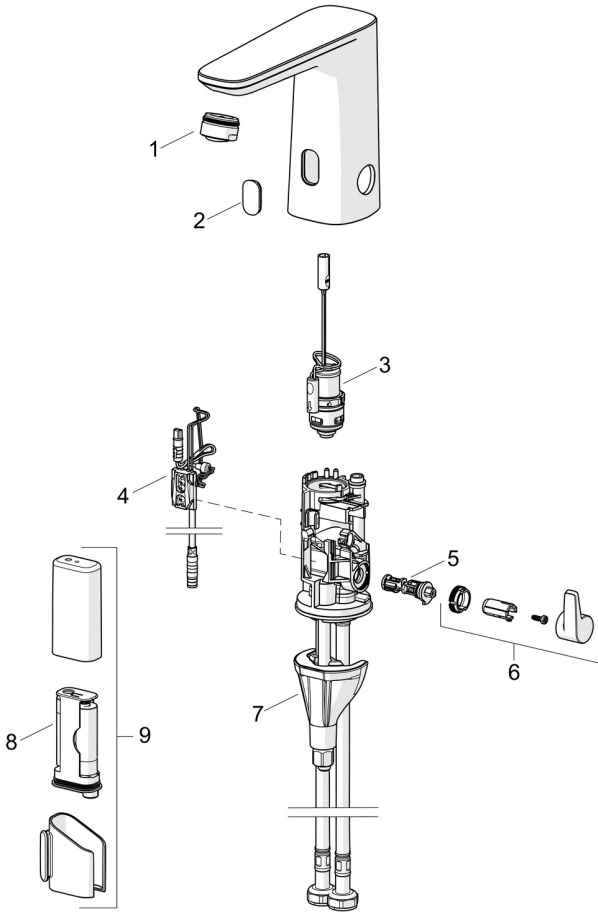
1,54

EPD module D (kg CO2 eq.)

-1,22



**SPARE PARTS**



**SP9212FZ-33**

	<b>Name</b>	<b>Code</b>
01	Aerator, STD M24x1 HC A Matt black	1017197V-33
02	Window	1012249V
03	Pilot valve	1008658V
04	Sensor, 3/9 V, Bluetooth	1012464V
05	Temperature regulator	1010630V
06	Temperature control handle Matt black	1017587V-33
07	Fixing set	602610V
08	Battery, (2x) 1.5 V AA Lithium	600599V
09	Battery casing, 3 V	290006