



# 9260FQ ORAS ELECTRA WASHBASIN FAUCET, 3 V, NON-BLUETOOTH

TOUCHLESS, BATTERY-OPERATED

EAN: 6414150105197 [static.oras.com/9260FQ](http://static.oras.com/9260FQ)

Electra 92 series give you a clean classic design with beautiful round body flowing into round spout design with a clear design line framing the faucet design.

A Classic design for any installation.

### Key Features

Aerator with Tilt function +/- 10° for more flexible installation

Newest Sensor technology for better detection and operation comfort

Temperature measurement

Battery and power cable

Touchless faucet with tilt aerator. +/- 10° adjustment option.

Easy grip temperature lever for good grip and easy adjustment.

SMART intelligent sensor with 3 optical lenses for improved performance

Brass casted construction and easy installation due to fast and easy 3S installation system.

- Public & Semi-public
- Deck mounted
- Chrome
- Fixed spout
- PCA® - constant flow rate regardless of pressure variations, Adjustable flow angle
- Temperature control handle
- Temperature preset fixable, Adjustable hot water stop (included, retrofittable)
- Advanced PSD sensor, Light indicated function(s), Low battery indicator
- Flexible inlet pipes
- 3S-installation system for safe and simple mounting, Convertible for cold or premixed-water supply

## TECHNICAL DATA

### FLOW PROPERTIES

Flow-rate at 300 kPa (with flow controller)	0.1 l/s
Pressure loss with flow (0.1 l/s)	300 kPa

### TECHNICAL PROPERTIES

Hot water supply	max. +70°C
Working pressure	100 - 1000 kPa
Connection size	G3/8
Projection	123 mm
Backflow prevention (EN1717)	EB
Material	Brass

### SOFTWARE SETTINGS

Afterflow period	3 s
Automatic flush	off
Automatic flush period	30 s
Max. flow period	2 min

### ELECTRONIC PROPERTIES

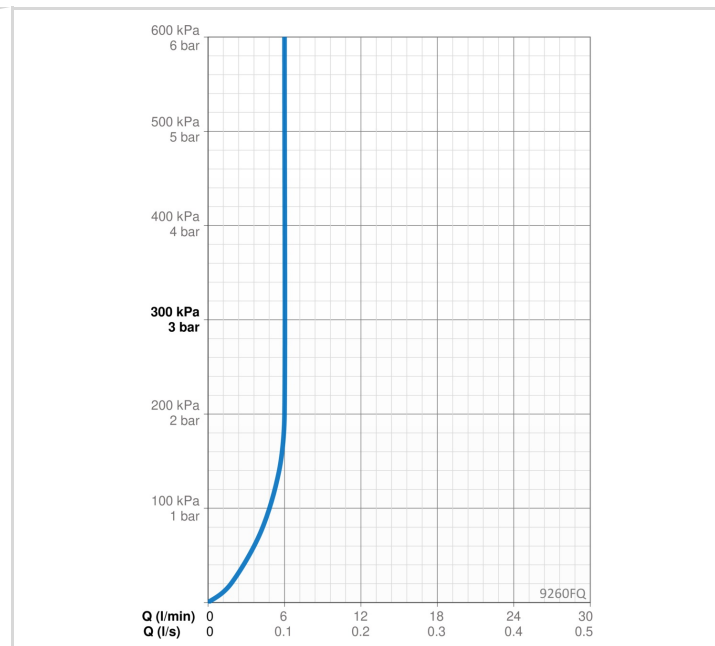
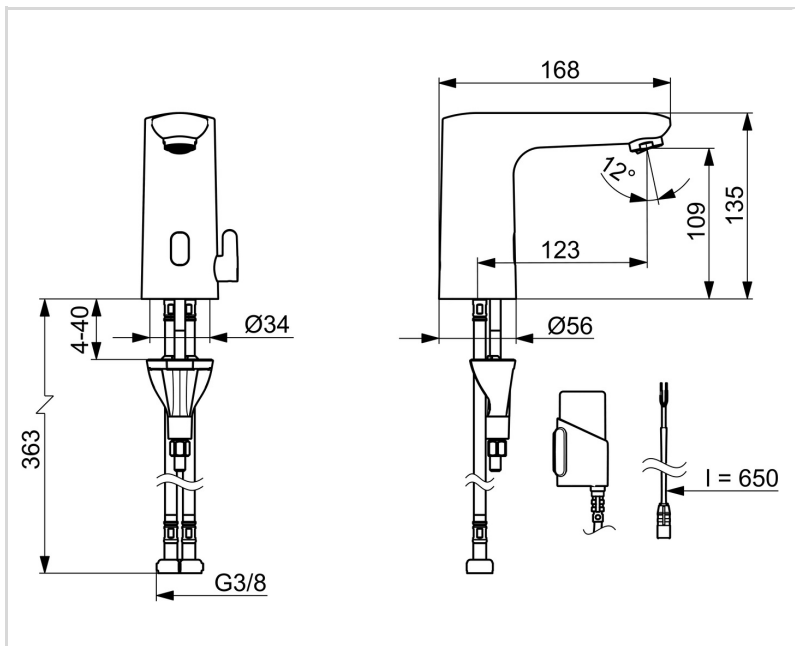
Electrical Connection	9 V
Battery	AA 1.5 V Lithium x 2

### REGULATIONS

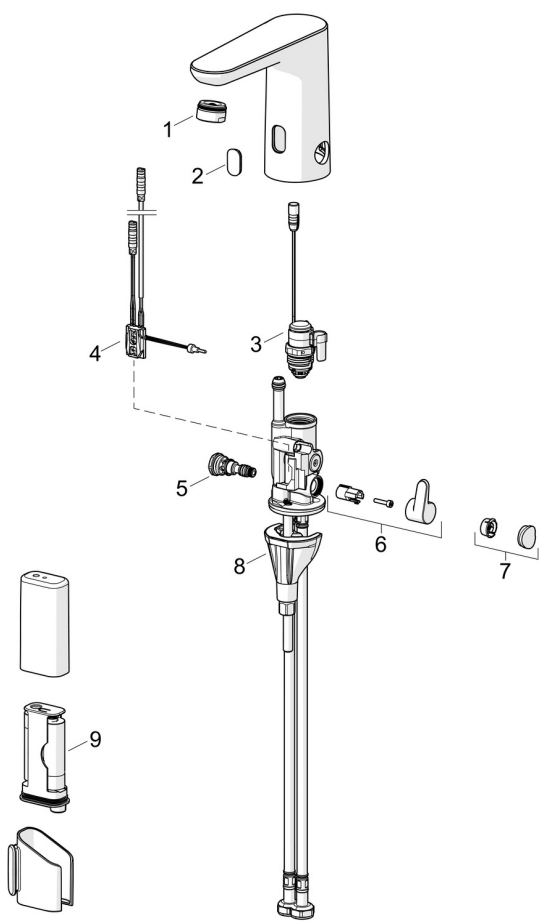
EU Directives	CE Radio Equipment Directive 2014/53/EU , Low Voltage Directive 2014/35/EU , EMC Directive 2014/30/EU , RoHS Directive 2011/65/EU
EN standard	ETSI EN 301 489-1 V1.9.2 , ETSI EN 300 328 v2.2.2 , EN 61000-6-1:2007 , EN 61000-6-3:2007+A1:2011+AC:2012 , EN 60335-1:2012+A11+A13+A14+A15:2021, Part 19.11.4
Noise class	I (ISO 3822)
Protection class	IP 55

### APPROVALS AND DECLARATIONS

Declaration of conformity	LVD
---------------------------	-----



**SPARE PARTS**



**SP9260FQ**

Name	Code
01 Aerator, M24x1 HC PCA 7.0 l/min Chrome	1016723V
02 Window	1014281V
03 Solenoid valve complete, 3 V	601307V
04 Sensor, 3/9 V, non-Bluetooth	1018204V
05 Temperature regulator	1000580V
06 Temperature control handle Chrome	1016155V
07 Cover plug Chrome	1015252V
08 Fixing set	602610V
09 Battery, (2x) 1.5 V AA Lithium	600599V