



9270FZ ORAS ELECTRA DIGITAL WASHBASIN FAUCET, 3 V, BLUETOOTH

TOUCHLESS, BATTERY-OPERATED, EXTERNAL TRANSFORMER, BLUETOOTH®

EAN: 6414150101762 static.oras.com/9270FZ

Electra 92 series give you a clean classic design with beautiful round body flowing into round spout design with a clear design line framing the faucet design.

A Classic design for any installation.

Key Features

- Aerator with Tilt function +/- 10° for more flexible installation
- Newest Sensor technology for better detection and operation comfort
- Bluetooth technology for easy adjustment to personalize settings
- Antiscalding protection
- Temperature measurement
- Digital Network Service
- Battery and power cable

Bluetooth Touchless faucet with tilt aerator. +/- 10° adjustment option.

Easy grip temperature lever for good grip and easy adjustment.

SMART intelligent bluetooth sensor with 3 optical lenses for improved performance supported by app connection for personalized and easy adjustment of sensor settings.

Supports Digital Network Service for remote monitoring and communication.

Intelligent temperature measurement and intelligent Antiscalding protection.

Brass casted construction and easy installation due to fast and easy 3S installation system.

- Housing, Industry, Public & Semi-public
- Deck mounted
- Chrome
- Fixed spout
- PCA® - constant flow rate regardless of pressure variations, Adjustable flow angle
- Temperature control handle
- Temperature preset fixable, Adjustable hot water stop (included, retrofittable)
- Mixing valve for manual temperature control, Non-return valve(s), Litter filter(s)
- Advanced PSD sensor, Low battery indicator, Light indicated function(s), Smart antiscalding protection
- Flexible inlet pipes
- 3S-installation system for safe and simple mounting, Software settings adjustable via App, Convertible for cold or premixed-water supply

TECHNICAL DATA

FLOW PROPERTIES

Flow-rate at 300 kPa (with flow controller)	0.1 l/s
Pressure loss with flow (0.1 l/s)	300 kPa

TECHNICAL PROPERTIES

Hot water supply	max. +70°C
Working pressure	100 - 1000 kPa
Connection size	G3/8
Projection	123 mm
Backflow prevention (EN1717)	EB
Material	Brass

SOFTWARE SETTINGS

Afterflow period	3 s (1-20 s)
Automatic flush	off (off/1-120 h)
Automatic flush period	30 s (1-1800 s)
Max. flow period	2 min (1 - 1800 s)

ELECTRONIC PROPERTIES

Electrical Connection	9 V
Battery	AA 1.5 V Lithium x 2
Bluetooth version	5.x (D060576)

REGULATIONS

EU Directives

CE Radio Equipment Directive 2014/53/EU , Low Voltage Directive 2014/35/EU , EMC Directive 2014/30/EU , RoHS Directive 2011/65/EU

EN standard

EN 15091, ETSI EN 301 489-1 V1.9.2 , ETSI EN 300 328 v2.2.2, EN 18031-1, EN 61000-6-1:2007 , EN 61000-6-3:2007+A1:2011+AC:2012 , EN 60335-1:2012+A11+A13+A1+A14+A2+A15:2021, Part 19.11.4

Noise class

I (ISO 3822)

Protection class

IP 55

APPROVALS AND DECLARATIONS

STF certificate

EUFI29-24001542-TH

KIWA SE

1886

Declaration of conformity

RED

EPD

S-P-06394

SUSTAINABILITY

EPD module A1-A3 (kg CO2 eq.)

11,93

EPD module A4 (kg CO2 eq.)

0,48

EPD module B7 (kg CO2 eq.)

430,00

EPD module C2 (kg CO2 eq.)

0,02

EPD module C3 (kg CO2 eq.)

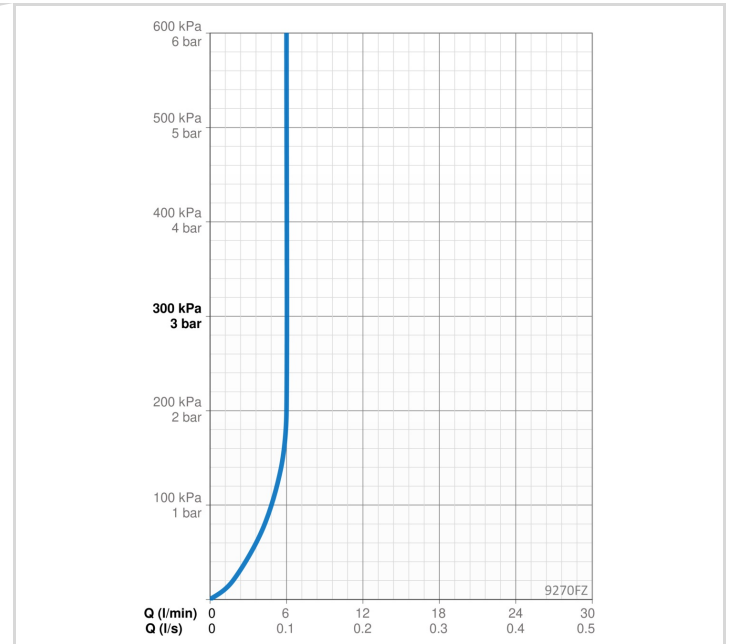
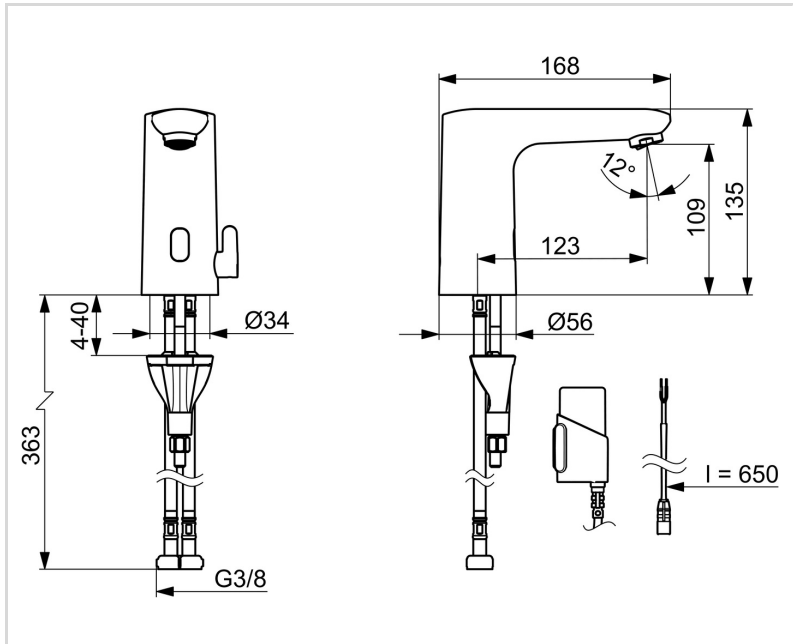
0,02

EPD module C4 (kg CO2 eq.)

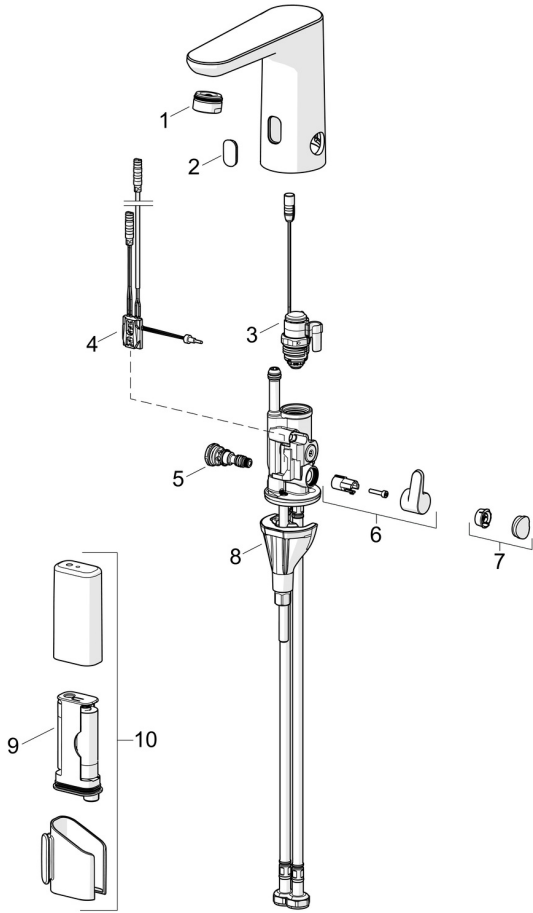
0,32

EPD module D (kg CO2 eq.)

-8,64



SPARE PARTS



SP9260FZ

	Name	Code
01	Aerator, M24x1 HC PCA 7.0 l/min Chrome	1016723V
02	Window	1014281V
03	Solenoid valve complete, 3 V	601307V
04	Sensor, 3/9 V, Bluetooth	1015155V
05	Temperature regulator	1000580V
06	Temperature control handle Chrome	1016155V
07	Cover plug Chrome	1015252V
08	Fixing set	602610V
09	Battery, (2x) 1.5 V AA Lithium	600599V
10	Battery casing, 3 V	290006