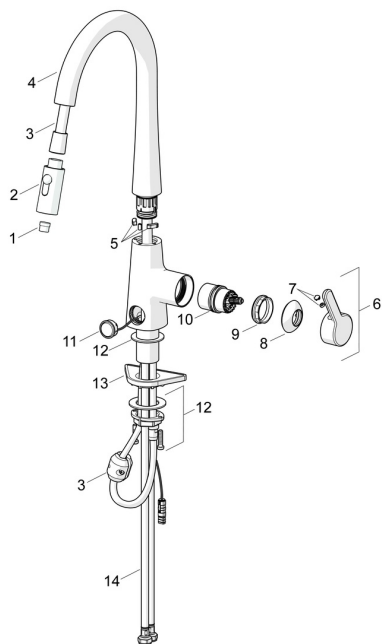


EAN: 6414150082726

static.oras.com/3032F



Spare parts

SP3032F

	Name	Code
01	Aerator	1000972V
02	Shower head Chrome	1001321V
03	Hose, L=1500, G1/2-M14x1	1004704V
04	Spout Chrome Discontinued	1003323V
05	Spout overturning stopper, 60°/0°	602706/2
06	Lever Chrome	1003084V
07	Symbol plug Discontinued	602069V
08	Covering cap Chrome	1001740V
09	Tightening nut, M42x1.5, SW 38	158726
10	Cartridge	1003691V
11	Push button, 3 V Chrome	1004296V
12	Fixing set	602629V
13	Supporting plate, 100x60mm	158825
14	Flexible pipe, L=550, G3/8-M10x1 LH Discontinued	1004663V