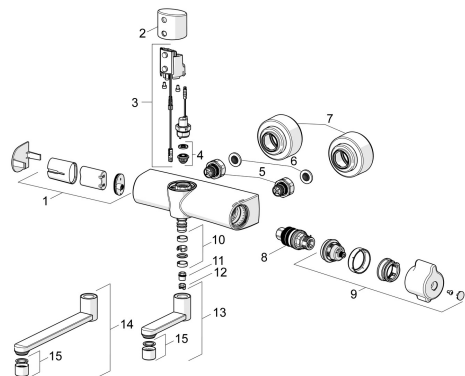


EAN: 6414150098673

[static.oras.com/5676Z](http://static.oras.com/5676Z)

## Spare parts

### SP5671U



	Name	Code
01	Battery casing	199438V
02	Sensor holder Chrome	1006102V
03	Update kit	1017251V
04	Membrane for solenoid valve	1006500V
05	Combiner	602438/2
06	Filter sealing, G3/4, DN20	178375V
07	Cover flange Chrome	1006473V
08	Thermostatic cartridge	178780V
09	Temperature control handle Chrome	1006058V
10	Sealing kit for spout	602707V
11	Spout overturning stopper, 60°/0°	159667V
12	Limiter, 120°	602499V
13	Spout, L=100 Chrome	290016
14	Spout, L=200 Chrome	290017
15	Aerator, M22x1 STD PL HC A Laminar Chrome	1003610V