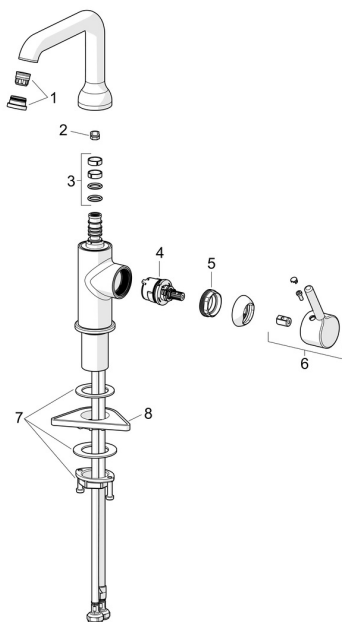


## Spare parts



### SP2611FH-33

	Name	Code
01	Aerator and key, PCA 1.5 gpm Matt black	1012273V-33
02	Spout overturning stopper, 120°	159670/10
03	Sealing kit for spout	198287V
04	Cartridge, 3.0	1014428V
05	Tightening nut, M34x1.5, SW30	1012133V
06	Lever Matt black	1001748V-33
07	Fixing set	602629V
08	Supporting plate, 100x60mm	158825