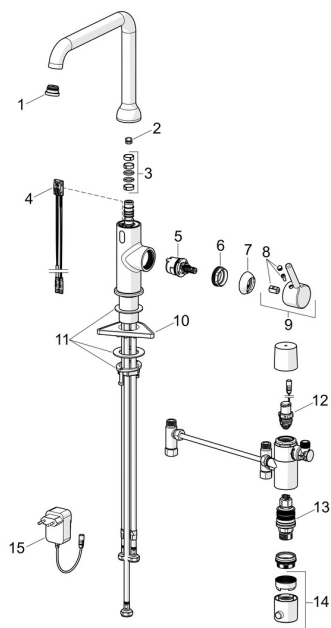


EAN: 6414150102240

static.oras.com/2638FHTZ

Spare parts



SP2638FHTZ

	Name	Code
01	Aerator and key, Cascade SLC TJ V Chrome	1014808V
02	Spout overturning stopper, 60°/0°	159667/10
02	Spout overturning stopper, 60°/0°	159667V
02	Spout overturning stopper, 120°	159670/10
03	Sealing kit for spout	1001098V
04	Sensor, 3/9 V, Bluetooth	1014212V
05	Cartridge, 3.0	1014428V
06	Tightening nut, M34x1.5, SW30	1012133V
07	Covering cap Chrome	1012132V
08	Symbol plug Chrome	1012105V
09	Lever Chrome	1001748V
10	Supporting plate, 100x60mm	158825
11	Fixing set	602629V
12	Pilot valve, 3 V	601884V-F
13	Thermostatic cartridge	178780V
14	Temperature control handle Chrome	602062V
15	Power supply, 230/9 V, 550 mA	199550