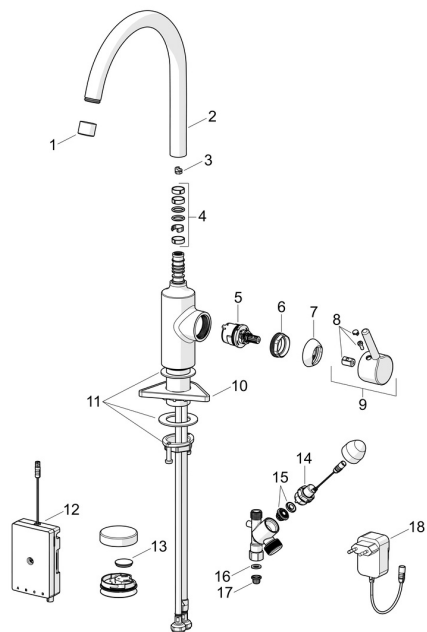


EAN: 6414150102158

static.oras.com/2639AF

Spare parts



SP2639AF

	Name	Code
01	Aerator, STD M22x1 CC A Chrome	1017047V
02	High spout, L=208 Chrome	1001058V
03	Spout overturning stopper, 60°/0°	159667/10
03	Spout overturning stopper, 60°/0°	159667V
03	Spout overturning stopper, 120°	159670/10
04	Sealing kit for spout	1001098V
05	Cartridge, 3.0	1014428V
06	Tightening nut, M34x1.5, SW30	1012133V
07	Covering cap Chrome	1012132V
08	Symbol plug Chrome	1012105V
09	Lever Chrome	1001748V
10	Supporting plate, 100x60mm	158825
11	Fixing set	602629V
12	Control unit, 9 V, Bluetooth	1015438V
13	Battery, CR2450 3 V Lithium	601468V
14	Pilot valve, 3 V	601884V-F
15	Membrane for solenoid valve	1006500V
16	Gasket, 18.5/12x2 EPD	438025/10
17	Litter filters	199257/2
18	Power supply, 230/9 V, 550 mA	199550