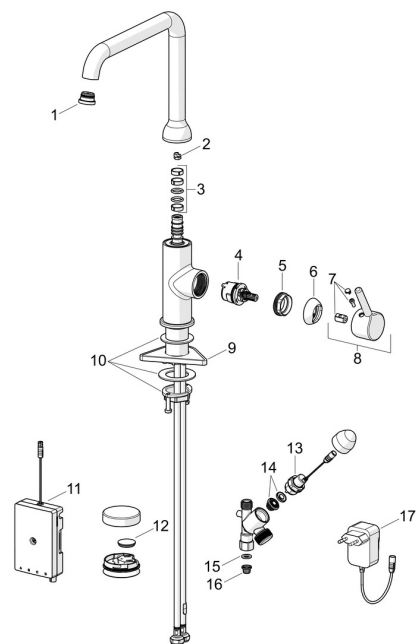


EAN: 6414150102196

[static.oras.com/2639FH](http://static.oras.com/2639FH)

## Spare parts



### SP2639FH

	Name	Code
01	Aerator and key, Cascade SLC TJ V Chrome	1014808V
02	Spout overturning stopper, 60°/0°	159667/10
02	Spout overturning stopper, 60°/0°	159667V
02	Spout overturning stopper, 120°	159670/10
03	Sealing kit for spout	1001098V
04	Cartridge, 3.0	1014428V
05	Tightening nut, M34x1.5, SW30	1012133V
06	Covering cap Chrome	1012132V
07	Symbol plug Chrome	1012105V
08	Lever Chrome	1001748V
09	Supporting plate, 100x60mm	158825
10	Fixing set	602629V
11	Control unit, 9 V, Bluetooth	1015438V
12	Battery, CR2450 3 V Lithium	601468V
13	Pilot valve, 3 V	601884V-F
14	Membrane for solenoid valve	1006500V
15	Gasket, 18.5/12x2 EPD	438025/10
16	Litter filters	199257/2
17	Power supply, 230/9 V, 550 mA	199550