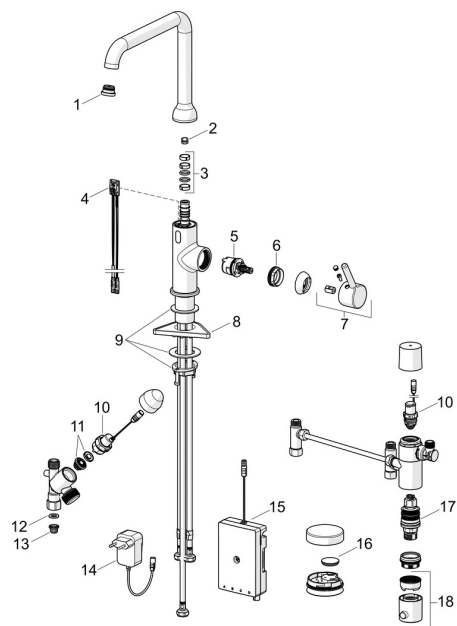


EAN: 6414150102295

static.oras.com/2639FHTZ-33

Spare parts



SP2639FHTZ-33

	Name	Code
01	Aerator and key, Cascade SLC TJ A Matt black	1014808V-33
02	Spout overturning stopper, 60°/0°	159667/10
02	Spout overturning stopper, 60°/0°	159667V
02	Spout overturning stopper, 120°	159670/10
03	Sealing kit for spout	1001098V
04	Sensor, 3/9 V, Bluetooth	1014212V
05	Cartridge, 3.0	1014428V
06	Tightening nut, M34x1.5, SW30	1012133V
07	Lever Matt black	1001748V-33
08	Supporting plate, 100x60mm	158825
09	Fixing set	602629V
10	Pilot valve, 3 V	601884V-F
11	Membrane for solenoid valve	1006500V
12	Gasket, 18.5/12x2 EPD	438025/10
13	Litter filters	199257/2
14	Power supply, 230/9 V, 550 mA	199550
15	Control unit, 9 V, Bluetooth	1015438V
16	Battery, CR2450 3 V Lithium	601468V
17	Thermostatic cartridge	178780V
18	Temperature control handle Chrome	602062V