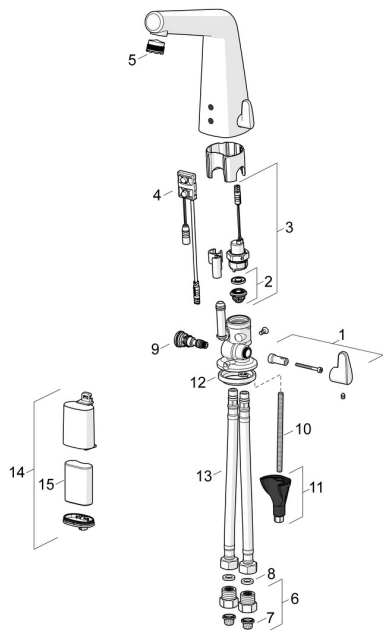


EAN: 6414150082481

[static.oras.com/3016F](http://static.oras.com/3016F)

## Spare parts

### SP3016F



	Name	Code
01	Temperature control handle Chrome	1002424V
02	Membrane support ring <b>Discontinued</b>	199205V
02	Membrane for solenoid valve	1006500V
03	Solenoid valve, 6 V	199206V
04	Sensor, 6/9/12 V, Bluetooth	1001424V
05	Aerator and key, M18.5x1	601901V
06	One-way valve with litter screen Chrome	198473/2
07	Litter filters	199257/2
08	Gasket, 8x14.3x2	600705/10
09	Temperature regulator	199201V
10	Fixing screw, M8x1, L=130	1000780V
11	Fixing set	602610V
12	Bottom seal	1002371V
13	Flexible pipe, L=400, G3/8-M10x1	1002311/2
14	Battery casing	199438V
15	Lithium battery, 2CR5 6 V	198330
16	Limiter	601061V