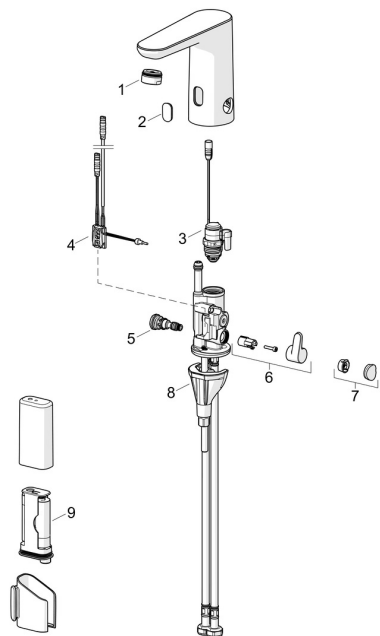


EAN: 6414150105197

[static.oras.com/9260FQ](http://static.oras.com/9260FQ)

## Spare parts



### SP9260FQ

	Name	Code
01	Aerator, M24x1 HC PCA 7.0 l/min Chrome	1016723V
02	Window	1014281V
03	Solenoid valve complete, 3 V	601307V
04	Sensor, 3/9 V, non-Bluetooth	1018204V
05	Temperature regulator	1000580V
06	Temperature control handle Chrome	1016155V
07	Cover plug Chrome	1015252V
08	Fixing set	602610V
09	Battery, (2x) 1.5 V AA Lithium	600599V